

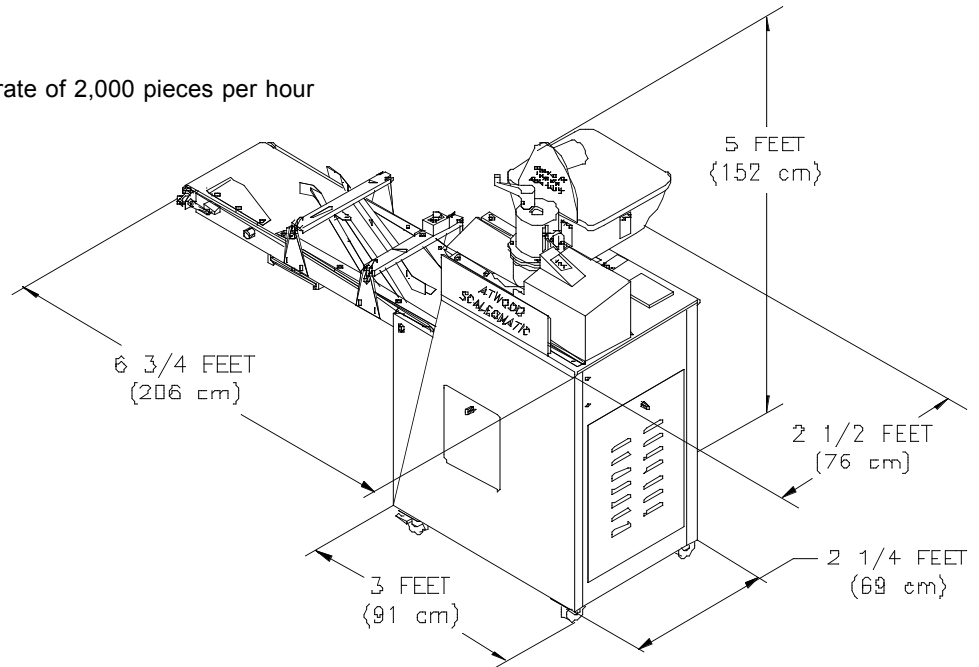
Specifications

* Length	83" / 208cm operating position / 52" 130cm storage position
* Width	24" / 65cm
* Height	58" / 145cm
* Production Rate	2,000 pieces per hour
* Scaling Range	AMS2 Measuring Cup--2 to 4 oz. / 56 to 227g AMS3 Measuring Cup--4 to 10 oz. / 112 to 280g AMS5 Measuring Cup--10 to 32 oz. / 280 to 896g
* Hopper Capacity	100 lbs. / 45 kg
* Shipping Weight	1,000 lbs. / 454 kg

Automatic Dough Divider & Conveyor Rounder

Features

- * One man operation
- * Precise dividing from 2 to 32 ounces and a rate of 2,000 pieces per hour
- * Made in the U.S.A.
- * Stainless steel cabinet
- * Remote stop button
- * Parts and service readily available
- * Adjustable conveyor folds up for storage
- * 100 lbs. hopper capacity
- * Fully adjustable rounder bar
- * Separate controls for divider and rounder
- * Easily movable on locking swivel casters
- * One year Limited warranty
- * Automatic oiling system
- * Easily disassembled for cleaning
- * 2 HP divider motor



Optional Equipment

- * Extended Hopper (140 lbs. capacity)
- * Computerized Variable Speed
- * External Oil Tank
- * USDA/FDA approved conveyor belt

Electrical Requirements

- * 208 or 220 volt / 20 amps
- * Single or 3 phase 60 Hz.
- * For other options or custom voltages, please contact our factory.
- * UL listing applies to control panel only
- * ETL listing applies to entire machine

