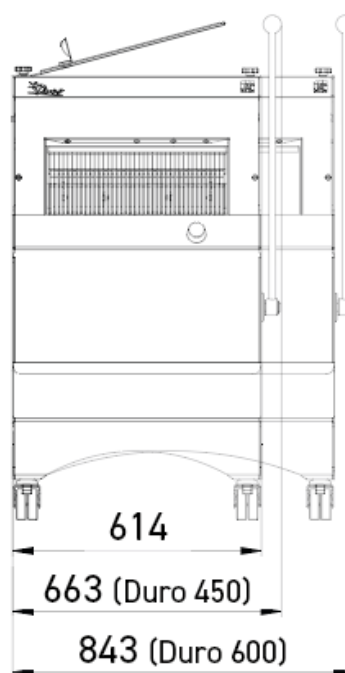
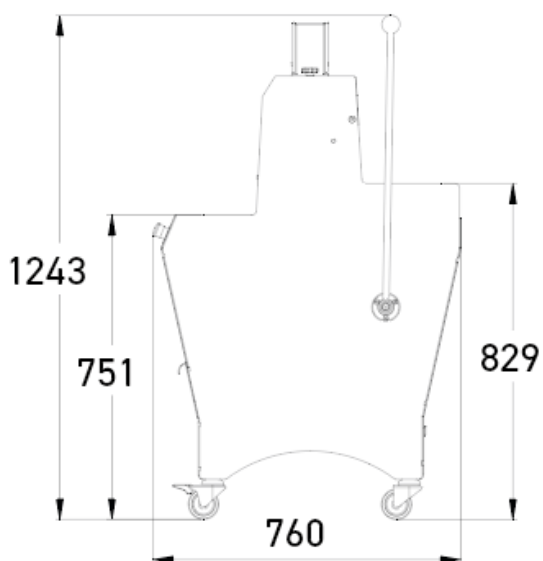


Duro

- ✓ Robust
- ✓ Progressive traction lever for optimum effort control
- ✓ Available in dual slicing



SPECIFICATIONS

Max. loaf dimensions in cm (L x W x H)	44 x 32 x 16
Motor power in kW	0.49
Net weight (in kg)	150
Blade type and dimensions in mm	13 x 0.5 steel

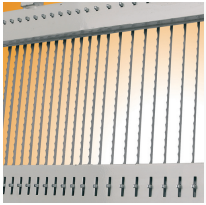
Finition



TECHNICAL SPECIFICATIONS

Slice thickness in mm	9,10,11,12,13,14,15,16,17,18,Double slice thickness (ADDITIONAL COST)
Loaf pusher height	Extra low (50mm),Low (80mm),High (100mm)
Power supply	230V single phase,230V three-phase,400V three-phase
Options (Additional cost)	Heavy duty motor, 4 cm height adjustment, 8 cm height adjustment, Daily adding counter, Special blades, Rear safety cover

MAIN STRENGTHS



Double slice thickness (option)

Allows two different slicing widths on the same machine



Progressive traction lever

Provides better control of effort.