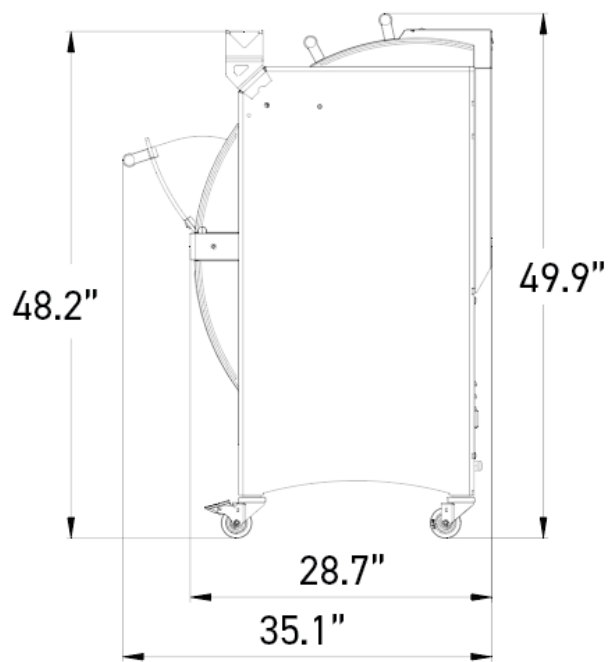


Self-service bread slicers



- ✔ Customer Self service slicer
- ✔ Lower center of gravity
- ✔ Automatic start when safety cover is closed no pushing buttons
- ✔ Large heavy duty crumb tray with ergonomic soft close door
- ✔ 5 year parts warranty





SPECIFICATIONS

Max. loaf dimensions in cm (L x W x H)	17.3" x 12.2" x 6.3"
Motor power in kW	0.49
Type of motor	1ph/120V/60Hz/7.3A
Plug configuration	NEMA 5-15P
Net weight in lbs	462
JAC FIX	•

TECHNICAL SPECIFICATIONS

Slice thickness options (in mm)	3/8" (10mm), 7/16" (11mm), 1/2" (13mm), 5/8" (16mm), 3/4" (19mm) (Extra cost), 7/8" (22mm) (Extra cost), 1" (25mm) (Extra cost), 1 1/4" (31mm) (Extra cost), Special slice thickness (Extra cost)
---------------------------------	---

MAIN STRENGTHS



Front safety cover

Locked during the slicing process for maximum safety.



Rear safety cover

Closing it initiates the slicing process and it remains mechanically and electrically locked during cutting.



Jacfix

Holds the loaf together for easier handling at the exit of the slicer.



ISC®

Intelligent Slicing Control (JAC patent) is an automatic pressure and slicing speed control system. It adapts the cutting action according to the consistency of the bread. No manual setting needed.



ETL Sanitation Listed and ETL Listed US & Canada

The ETL Sanitation mark is awarded to food service equipment that has been rigorously tested against national sanitation requirements. This mark ensures you that the equipment is fit for use during food production as the manufacturer has not only passed the initial testing, but remains in compliance by completing periodic follow-up inspections. If the ETL Listed mark has a "US" to the bottom right, it has passed U.S. product safety standards. If it has a "C" to the bottom left, it has passed Canadian product safety standards. If the ETL mark displays both identifiers, it meets both standards.



5-15P

Plug configuration

NEMA 5-15P



Partners

JAC is a member of these different associations

