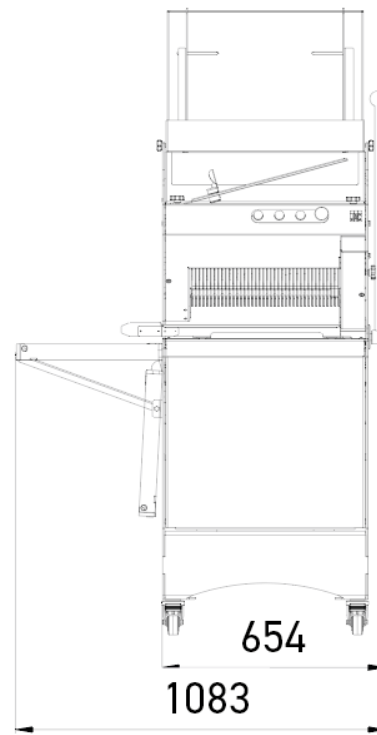
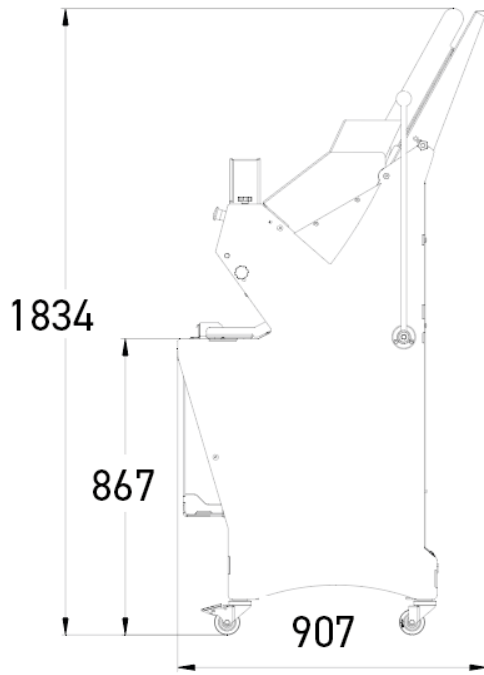


Bread slicers for professionals

Chute

- ✔ Designed for cutting soft white loaves
- ✔ Maximum output thanks to a continuous cycle
- ✔ Minimum space requirement
- ✔ Economic
- ✔ Front-loading for ergonomic efficiency





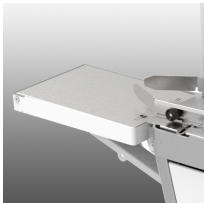
SPECIFICATIONS

Max. loaf dimensions in cm (L x W x H)	44 x 16
Motor power in kW	0.49
Net weight (in kg)	230
Blade type and dimensions in mm	10 x 0.5 steel

TECHNICAL SPECIFICATIONS

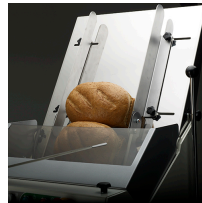
Slice thickness in mm	9,10,11,12,13,14,15,16,17,18
Power supply	230V single phase,230V three-phase ,400V three-phase
Options (Additional cost)	Special blades

MAIN STRENGTHS



Foldable bag blower (option)

Saves packaging time.



Loading ramp

Fitted with side guides, increases loading capacity.



Adjustable bread holder

Adjusts the pressure on the bread to ensure a clean, precise quality of cut.



Lever on the side

Allows the final loaf to be cut completely safely.