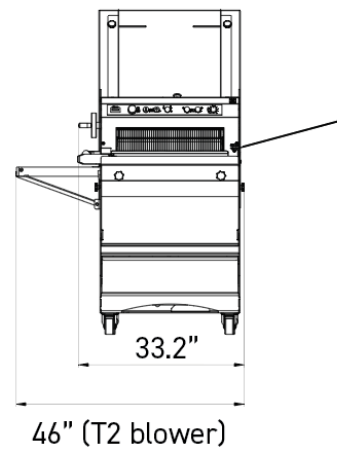
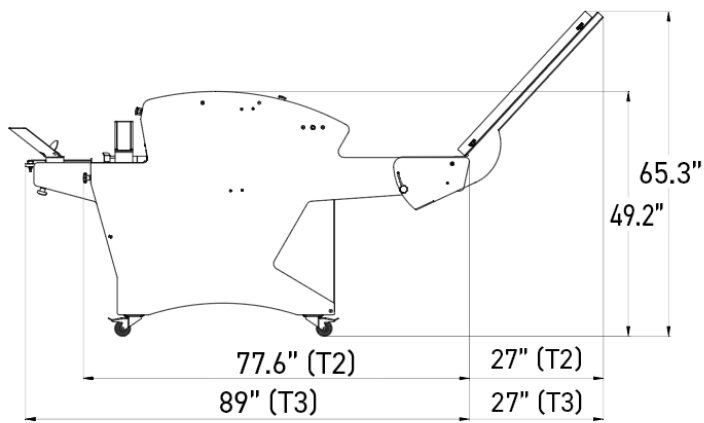


## Bread slicers for professionals



- ✓ Continuous slicing of all types of bread
- ✓ High speed, thanks to motorized in-feed belts
- ✓ Robust construction
- ✓ Adjustable speed
- ✓ 5 years parts / 1 year labor warranty
- ✓ Up to 22" loaf



## SPECIFICATIONS

Max. loaf dimensions in in (W x H)	22" x 6.3"
Foldable bag blower	•
Motor power in kW	1.1
Type of motor	3ph/208V/60Hz/4.8A
Plug configuration	NEMA L15-20P
Net weight in lbs	805

## TECHNICAL SPECIFICATIONS

Slice thickness options (in mm)	3/8" (10mm), 7/16" (11mm), 1/2" (13mm), 5/8" (16mm), 3/4" (19mm) (Extra cost), 7/8" (22mm) (Extra cost), 1" (25mm) (Extra cost), 1 1/4" (31mm) (Extra cost), Special slice thickness (Extra cost)
---------------------------------	---

Options (Additional cost)	Loading ramp
---------------------------	--------------

## MAIN STRENGTHS



### Front control panel

Motorised adjustment of the upper belt height (height of loaves). Next to the front panel controls, a timer accurately records your working time.



### Variable speed drive

Allows the cutting speed to be adjusted to suit the type of bread.



### Rear loading belt

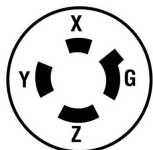
Provides uniform continuous cutting, thanks to adjustable side guides.



**L15-20P**

### Plug configuration

NEMA L15-20P



**L15-20P**

### Plug Configuration

NEMA L15-20P



### Partners

JAC is a member of these different associations