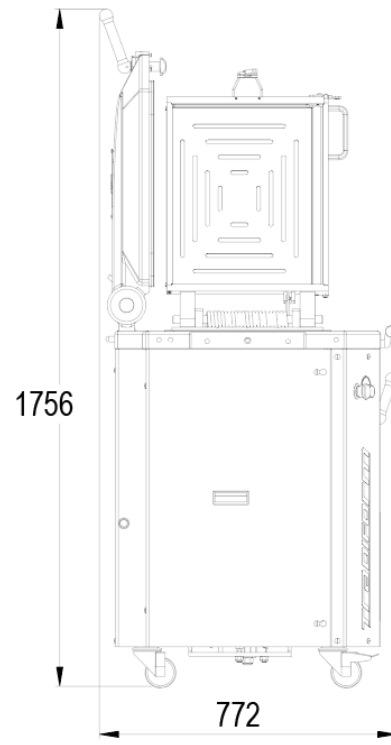
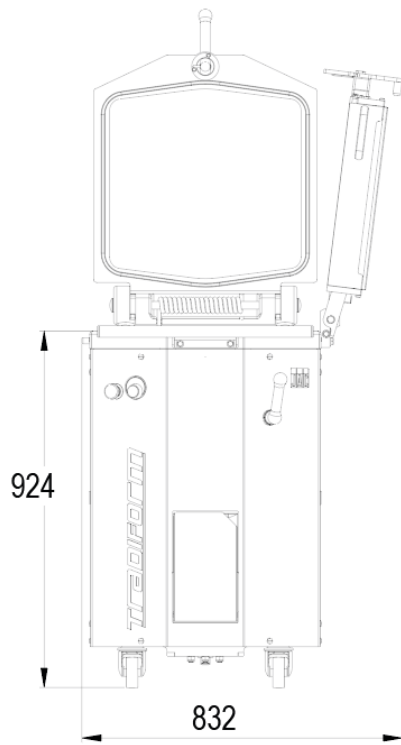


TRADIFORM

- ✓ Modular solution with cutting-forming grids
- ✓ Quick, efficient execution
- ✓ Versatility
- ✓ Minimal space required
- ✓ Pressure plate
- ✓ Stainless steel exterior





SPECIFICATIONS

Dimensions of tanks (L x W x H) in mm	460 x 387 x 125
Dimensions of heads (L x W) in mm	115 x 75
Min/max weight of dough pieces in grams	150 / 950
Tank capacity in litres	19
Easylock	•
Pressure plate	•
Automatic knife retraction	•
Flour splash prevention system	•
Min / max weight in grams in 10-division position	300 / 1900
Motor power in kW	1.5
Net weight in kg (including frame)	285

TECHNICAL SPECIFICATIONS

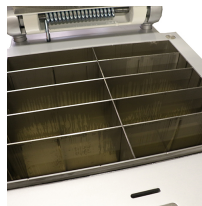
Power supply	230V single phase (ADDITIONAL COST) not compatible with the 10/20 division option, 230V three-phase, 400V three-phase +N
Power frequency	50Hz, 60Hz (ADDITIONAL COST)
Options (Additional cost)	Fullmatic, 10 / 20 divisions not compatible with the 230V single phase power supply, Easyflour, Left or right side grid storage, Grid storage extension

MAIN STRENGTHS



Easyclean

This extremely tough treatment is impregnated into the material; its exceptional non-stick qualities improve over time.



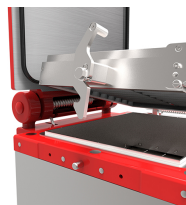
10/20 (option)

10 / 20 divisions Allows working in 10 divisions (230mm x 75mm) or 20 divisions (115mm x 75mm)



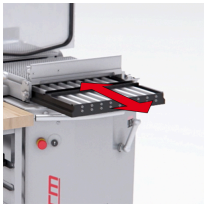
Stainless-steel bodywork, tank and knives

Includes automatic blade retraction for easy maintenance.



Easylock

Automatic grid holder locking system On closing, the grid holder locks automatically and starts the automatic dividing cycle.



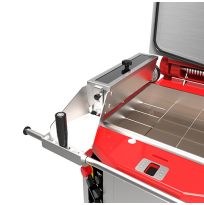
click&Cut

Quick grid changing system (JAC patent)



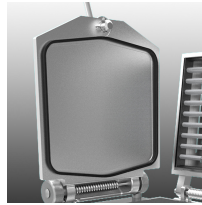
Fullmatic (option)

Automatic tamping and / or dividing cycles



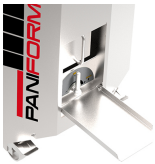
Easyflour (option)

Built-in flour dispenser



Flour splash prevention system

Prevents flour dispersal.



Pressure setting

So as not to stress the dough