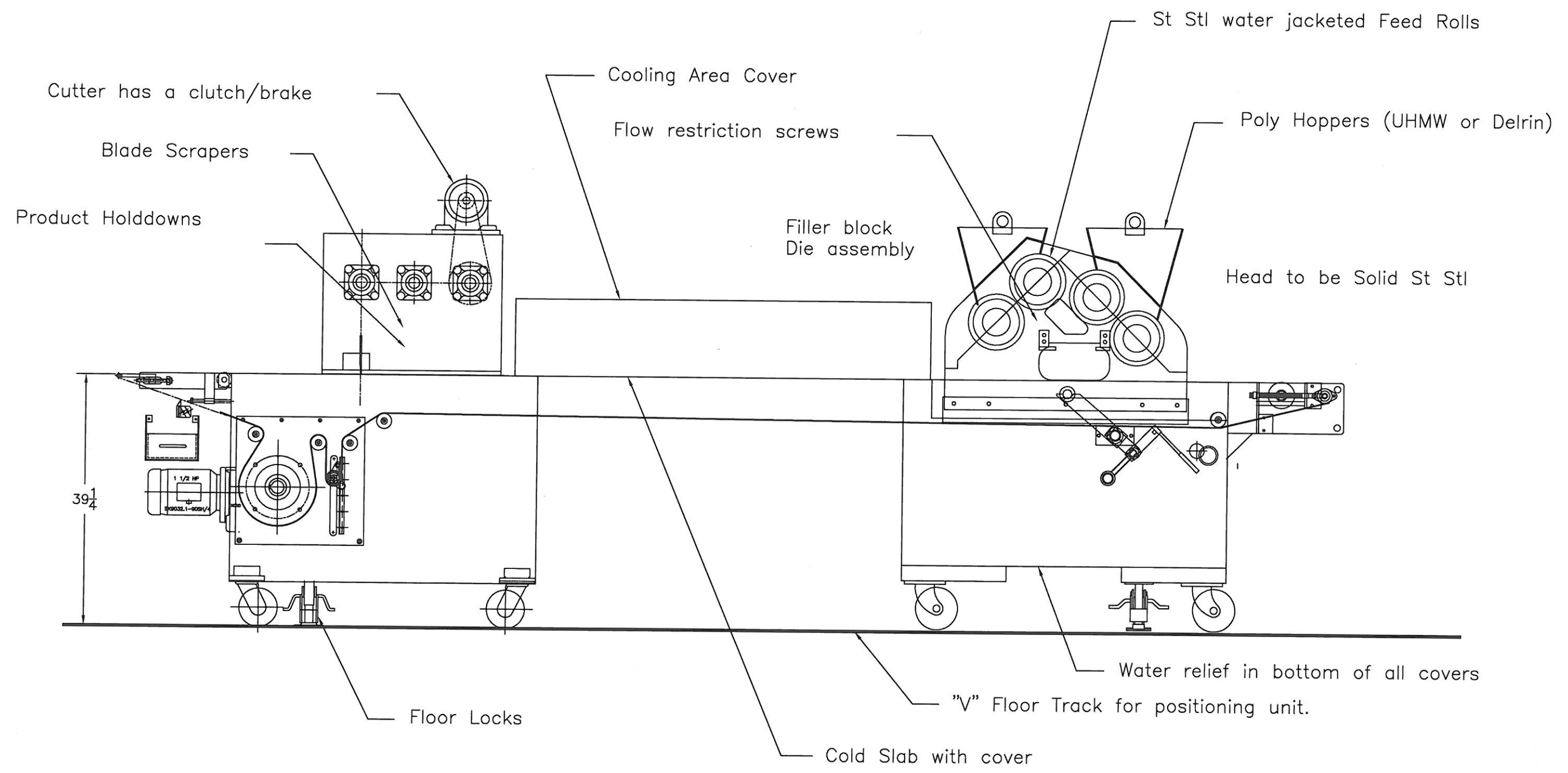


PRODUCT FLOW
(CONTROL SIDE) →

FPA		REV. NO.	REVISION DESCRIPTION	NAME & DATE
		SALES ORDER #2284	TITLE	LINE ASSEMBLY, 4-ROLL EXTRUDER & BAR CUTTER - ELAN
		NO. 940-2284	OF	
		FOOD PROCESS AUTOMATION		
		3521 Hwy Ave., Grand Rapids, MI 49548		

32" Wide Four Roll Co-Extruder
 Electrical operators NEMA 4



FPA	REV. NO.	REVISION DESCRIPTION	NAME & DATE
	DATE	TITLE	
	SALES ORDER #		
	REF. DWG.		
SIZE B	TOLERANCES UNLESS OTHERWISE SPECIFIED	FRACTION DECIMALS (AS SHOWN)	NO. 940-2284 OF
<small>DISCLAIMER: THIS DOCUMENT CONTAINS PROPRIETARY INFORMATION OF FPA, INC. NO DISCLOSURE, REPRODUCTION OR USE OF ANY PART OF THIS DOCUMENT MAY BE MADE WITHOUT WRITTEN PERMISSION.</small>			FOOD PROCESS AUTOMATION <small>3021 Clay Ave., Grand Rapids, MI 49508</small>