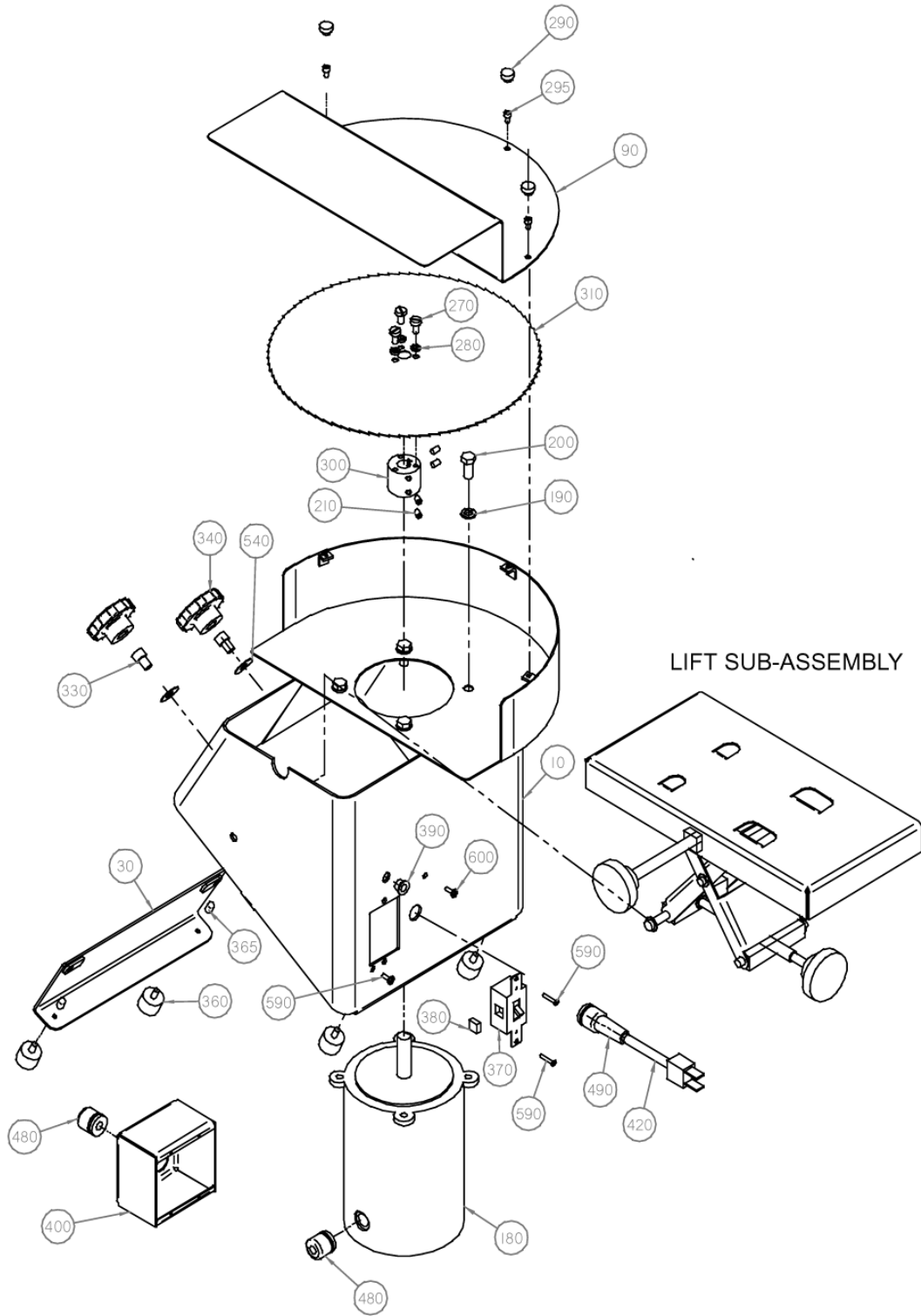


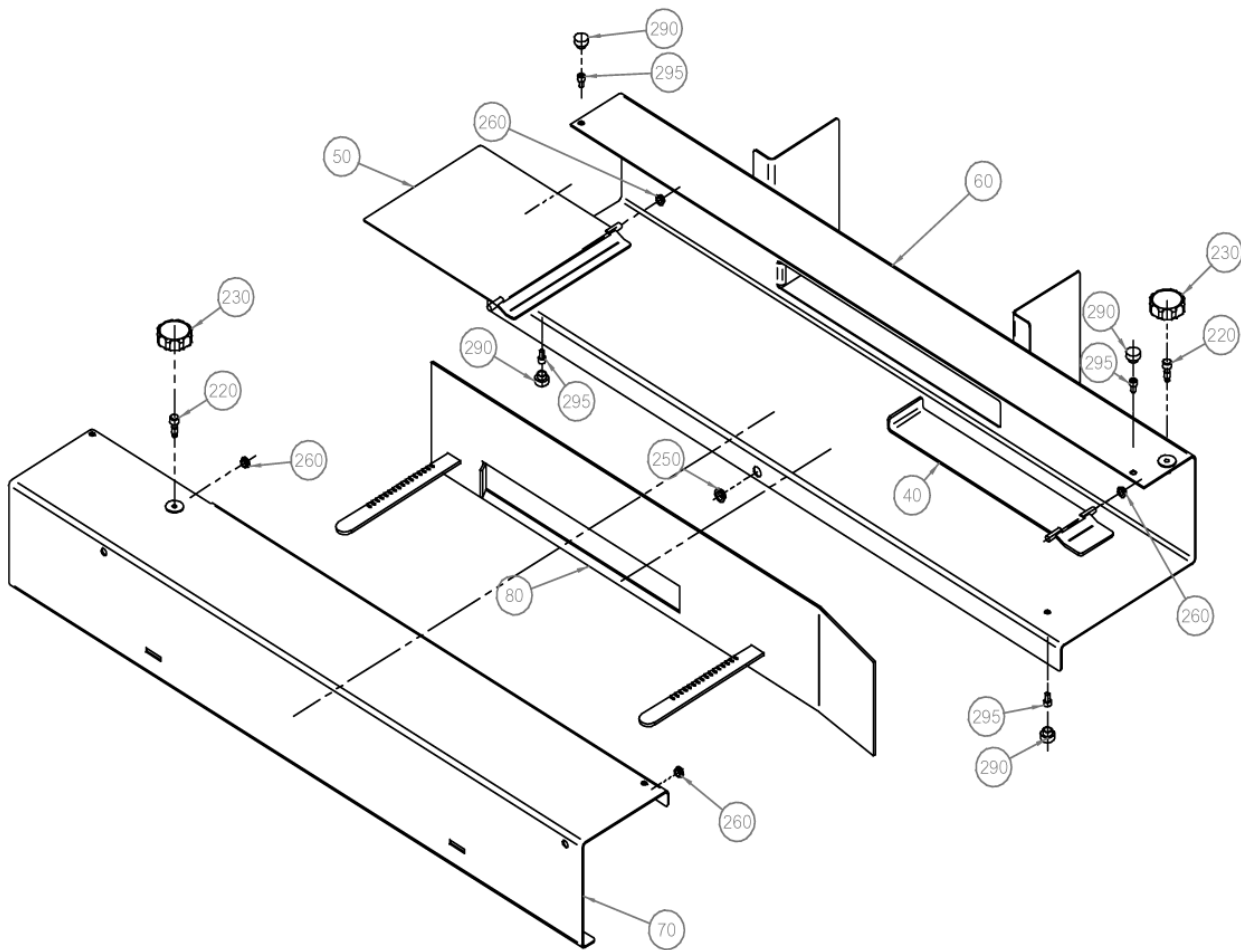
Model 270 Parts Description

<u>Item</u>	<u>Qty.</u>	<u>Description</u>	<u>Part Number</u>
10	1	Base	C4-030-0040
30	1	Foot, Adjustable	B4-073-0033
90	1	Top Guard	B4-073-0032
180	1	Motor, 1/2hp, 1725 rpm, 115v	M-943975
190	4	Spring Lock Washer	63-E-06
200	4	Hex Hd. Cap Screw	11-E-0607
210	4	Skt. Set Screw	29-E-0403
270	3	Round Hd. Slted. Mach. Screw	23-E-0404
280	3	Lock Washer	63-E-04
300	1	Blade Adapter	M-A26083
310	1	Blade, 12.5"	A4-037-0002
330	2	Socket Hd Cap Screw	12-E-0604
340	2	Thumb Screw Knob	P4-939-0013
360	4	Bumpers, Foot	M-950164
365	4	Vinyl Cap	P4-955-0013
370	1	Manual Motor Starter	P4-921-0148
380	1	Starter Heater	P4-921-0149
390	1	Bushing	P4-909-0005
400	1	Masonry Box	P4-921-0078
420	1	Cord Set	M93175805
480	2	Snap in Cord Grip, Straight	P4-921-0150
490	1	Snap in Cord Grip, Flex	P4-921-0151
540	4	Washer, Nylon	M-9513-3005
590	2	Flat Hd. Ph. Mach Screw	22-E-0106
600	2	Truss Hd. Ph. Mach. Screw	P4-927-0035

MODEL 270 BASE ASSEMBLY



MODEL 270 CHUTE ASSEMBLY



Model 270 Parts Description

<u>Item</u>	<u>Qty.</u>	<u>Description</u>	<u>Part Number</u>
40	1	Input Flap	B4-073-0030
50	1	Output Flap	B4-073-0027
60	1	Lower Chute	C4-073-0029
70	1	Hinge Guard	C4-073-0028
80	1	Hinge Guide	C4-073-0031
220	2	Adjustment Screw	A4-074-0009
230	2	Thumb Screw Knob	P4-939-0020
250	1	Bushing	P4-909-0044
260	4	Bushing	P4-909-0043
290	7	Thumb Screw Knob	P4-939-0014
295	7	Socket Hd Cap Screw	12-E-0302