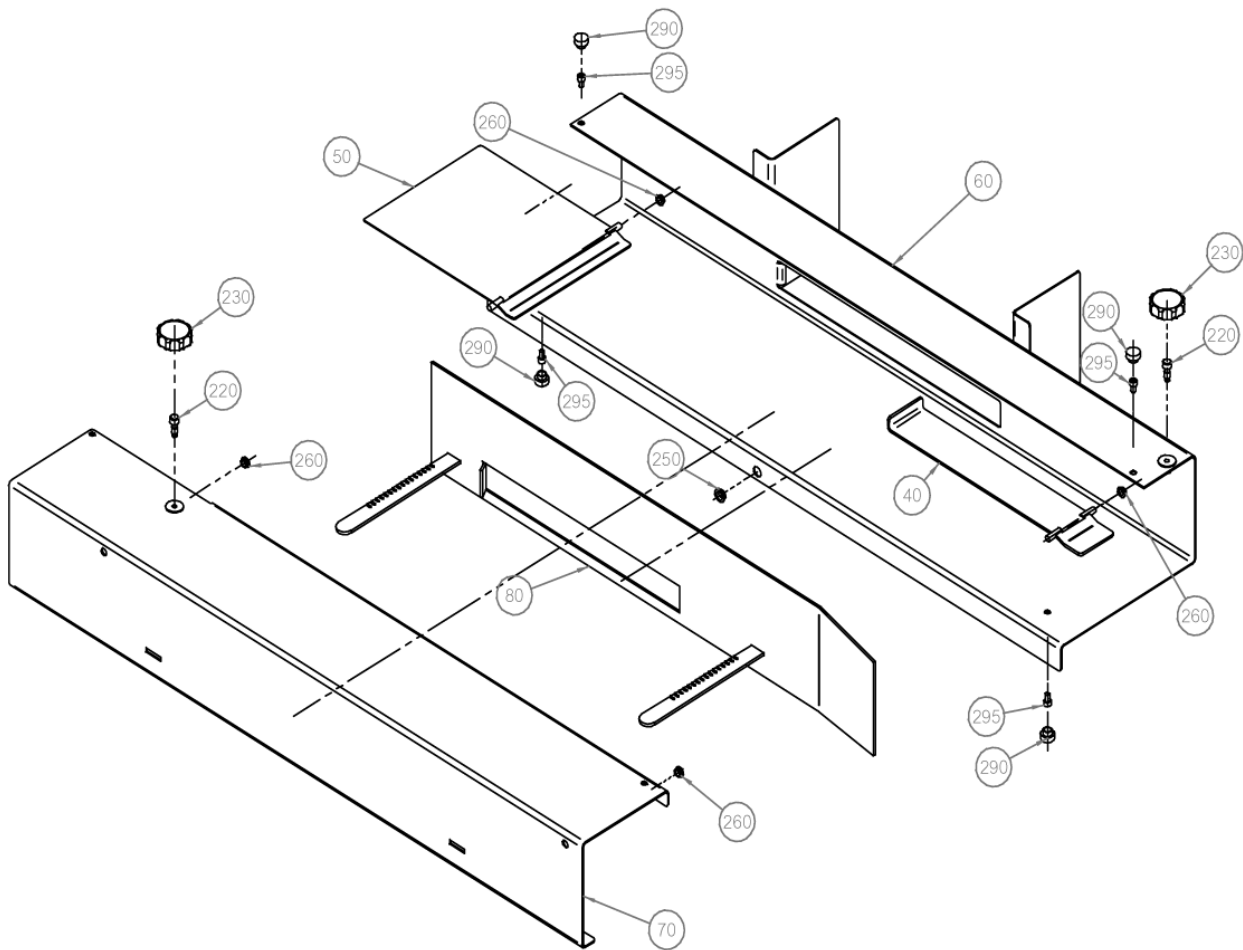


MODEL 270 CHUTE ASSEMBLY



Model 270 Parts Description

<u>Item</u>	<u>Qty.</u>	<u>Description</u>	<u>Part Number</u>
40	1	Input Flap	B4-073-0030
50	1	Output Flap	B4-073-0027
60	1	Lower Chute	C4-073-0029
70	1	Hinge Guard	C4-073-0028
80	1	Hinge Guide	C4-073-0031
220	2	Adjustment Screw	A4-074-0009
230	2	Thumb Screw Knob	P4-939-0020
250	1	Bushing	P4-909-0044
260	4	Bushing	P4-909-0043
290	7	Thumb Screw Knob	P4-939-0014
295	7	Socket Hd Cap Screw	12-E-0302