

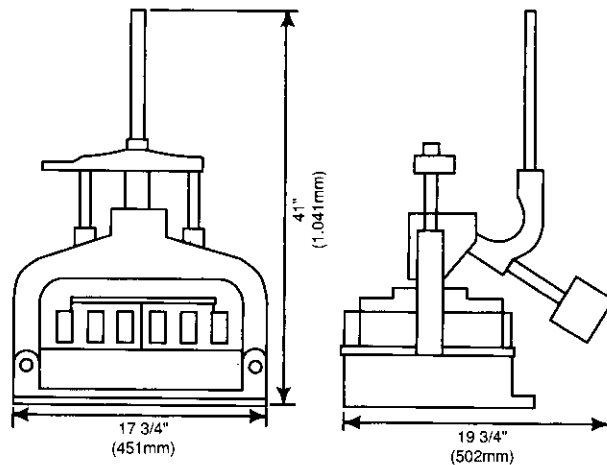
**OLIVER® Hand Bun/Roll
Dough Divider Hand
Operated Model
Model 623**

DIVIDER SPECIFICATIONS:

Dimensions:

Shipping Weight: 150 lbs. (68kg)
 Net Weight: 135 lbs. (61kg)
 Height: 41" (1,041mm)
 Width: 17 3/4" (451mm)
 Length: 19 3/4" (502mm)
 Optional: Floor stand with casters.

623



**OLIVER® Bun Divider and
Rounder
Model 625DR**

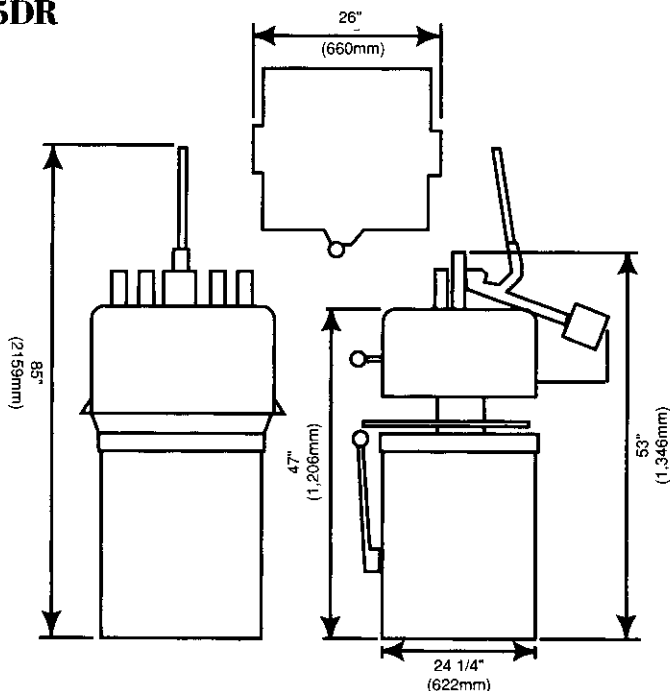
DIVIDER/ROUNDER SPECIFICATIONS:

Motor: 3/4 H.P., single phase, 60 Hz,
 115 VAC, 10 AMPS – ETL listed
 3/4 H.P., single phase, 60 Hz, 230 VAC,
 5 AMPS, Full Load – Not ETL listed
 Special electrics also available.

Dimensions:

Shipping Weight: 800 lbs. (363kg)
 Net Weight: 715 lbs. (324kg)
 Height: 85" (2,159mm)
 Width: 24 1/2" (622mm)
 Length: 26" (660mm)

625DR



Above specifications subject to change without notice.

Oliver® Products Company
 445 Sixth St. N.W.
 Grand Rapids, MI 49504-5298
 616/456-7711
 1/800/253-3893
 616/456-7791 FAX

OLIVER®
 PRODUCTS COMPANY