

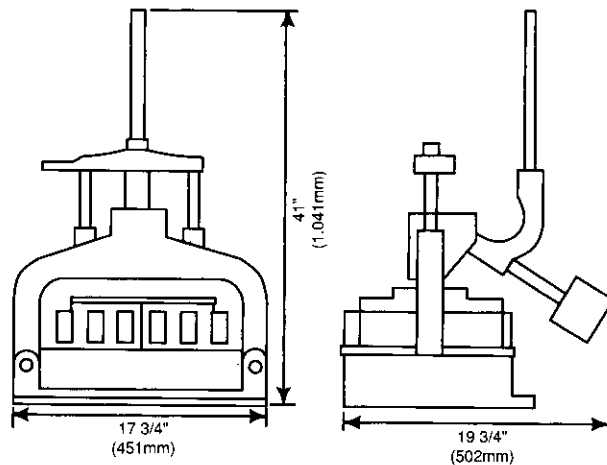
**OLIVER® Hand Bun/Roll  
Dough Divider Hand  
Operated Model  
Model 623**

**DIVIDER SPECIFICATIONS:**

**Dimensions:**

Shipping Weight: 150 lbs. (68kg)  
 Net Weight: 135 lbs. (61kg)  
 Height: 41" (1,041mm)  
 Width: 17 3/4" (451mm)  
 Length: 19 3/4" (502mm)  
 Optional: Floor stand with casters.

**623**



**OLIVER® Bun Divider and  
Rounder  
Model 625DR**

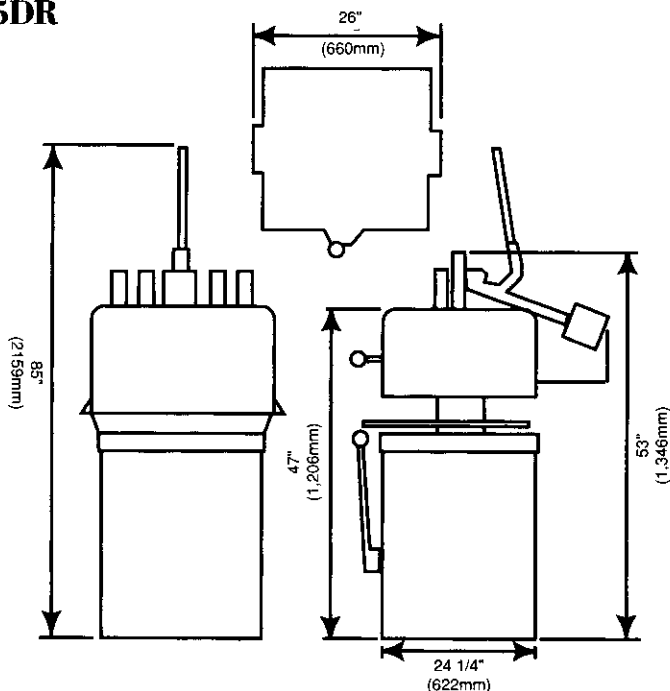
**DIVIDER/ROUNDER SPECIFICATIONS:**

**Motor:** 3/4 H.P., single phase, 60 Hz,  
 115 VAC, 10 AMPS – ETL listed  
 3/4 H.P., single phase, 60 Hz, 230 VAC,  
 5 AMPS, Full Load – Not ETL listed  
 Special electrics also available.

**Dimensions:**

Shipping Weight: 800 lbs. (363kg)  
 Net Weight: 715 lbs. (324kg)  
 Height: 85" (2,159mm)  
 Width: 24 1/2" (622mm)  
 Length: 26" (660mm)

**625DR**



Above specifications subject to change without notice.

**Oliver® Products Company**  
 445 Sixth St. N.W.  
 Grand Rapids, MI 49504-5298  
 616/456-7711  
 1/800/253-3893  
 616/456-7791 FAX

**OLIVER®**  
 PRODUCTS COMPANY