

# OLIVER® Variety Slicer Model 777

## SLICER SPECIFICATIONS:

**Motor:** 1/2 H.P., single phase, 60 Hz,  
115 VAC, 7 AMPS.

Special electrics also available.

## Capacities:

16" (406 mm) long X 10 1/2" (267mm) wide X  
3 1/2" (90mm) to 6" (152mm) high.

## Slicing Spacing (Thickness):

Standard: 3/8" (10mm), 7/16" (11mm) or  
1/2" (13mm)

Available (at extra cost): 1/4" (6mm),  
5/16" (8mm), 9/16" (14mm), 5/8" (16mm),  
3/4" (19mm), 7/8" (22mm), 1" (25mm)

**Lubrication:** Sealed and grease-packed ball  
bearings contribute to smooth, quiet  
operation.

**Finish:** Durable white powder coat finish to  
resist rust and corrosion.

## Dimensions:

	Floor Model	Counter Top Model
Shipping Weight:	300 lbs. (135kg)	260 lbs. (117kg)
Net Weight:	250 lbs. (113kg)	210 lbs. (95kg)
Height:	47" (1,194mm)	26 1/2" (673mm)
Width:	24" (610mm)	25" (635mm)
Depth:	24" (610mm)	24" (610mm)

Above specifications subject to change without notice.

## Oliver® Products Company

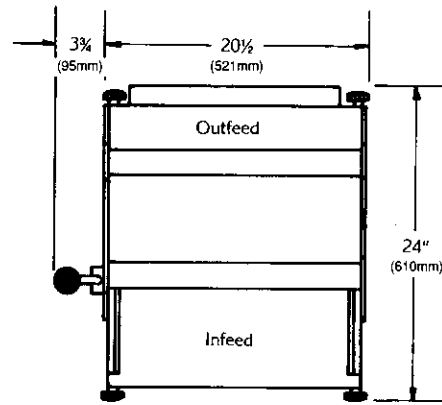
445 Sixth St. N.W.

Grand Rapids, MI 49504-5298

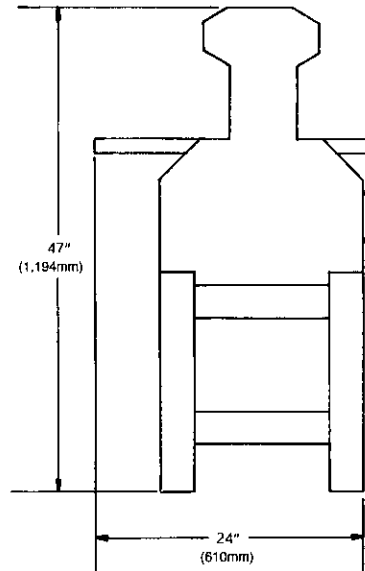
616/456-7711

1/800/253-3893

616/456-7791 FAX



Top View



Side View

**OLIVER®**  
PRODUCTS COMPANY