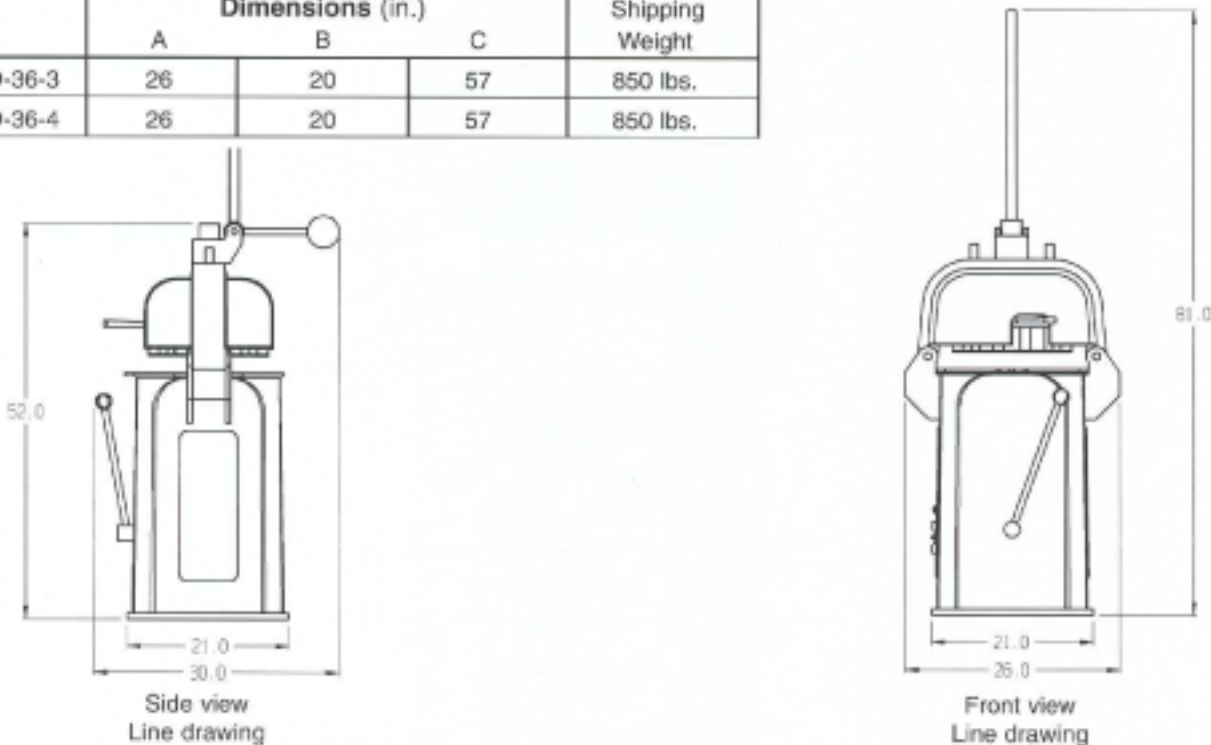
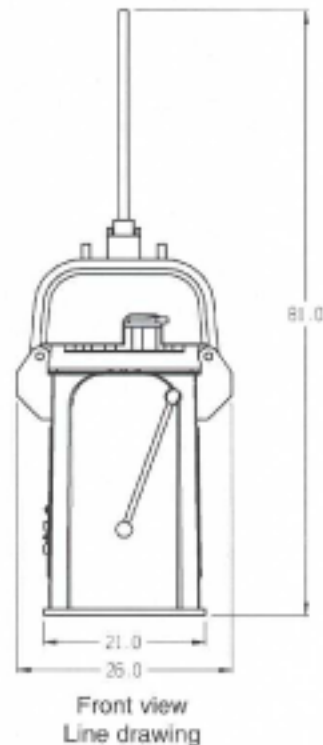
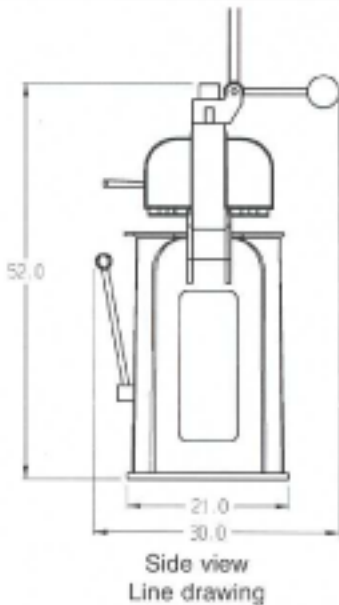


Features

- Divides dough evenly
- Machine can be opened toward both sides for easy cleaning
- Machine supplied with three plastic dividing plates
- Heavy duty cast iron base construction
- Permanent lubrication oil-bath transmission
- Easy adjustment for different dough weights
- Heavy-duty 3 phase motor
- ABSBRD-36-4 supplied with cast aluminum head quick no tool head and knife removal - easy clean feature - no tools required

Specifications

Model	Weight Range			Electrical				
				Volts	Phase	Hertz	Amps	H.P.
ABSBRD-36-3	7/8 - 3 oz.			208/220	3	60	2.8	1
ABSBRD-36-4	1.5 - 4 oz.			208/220	3	60	2.8	1
Dimensions (in.)				Shipping Weight				
A	B	C						
ABSBRD-36-3	26	20	57	850 lbs.				
ABSBRD-36-4	26	20	57	850 lbs.				



Notes

- Supplied with 6 foot-4-wire cord
- Aluminum rounding plates available
- MET listed
- BISSC certified
- Machine base anchors supplied