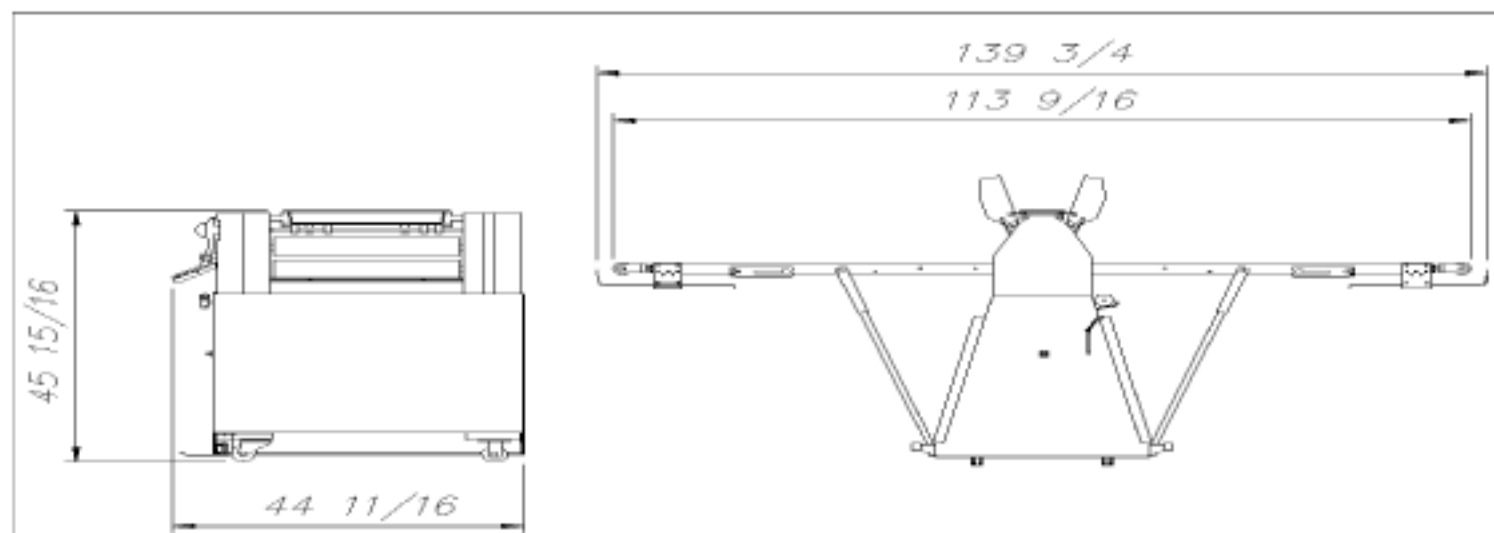


Specifications Sheet

Floor Model: ABSRDS-8.5/24
ABSRDS-10/24



Electrical: 208/220 Volt 3 Phase 60 Hz 12 Amps. Supplied with twist-lock plug. Recommend a 15 Amp slow-blow breaker. Plug: NEMA L15-20P

Spacing: 0" from wall in rear. Access to remaining sides for operation, front for operation of controls.

Features: Stainless steel panels and aluminum construction. Hand and foot controls. Seamless belts. Catch trays at both ends. Baton is standard.

Shipping: Weight: 745 pounds, Freight class: 85. Fully crated dims: 47" D x 61" W x 52" H

Notes

- All Dimensions are in inches and are approximate.
- Specifications are subject to change without notice.



Meets UL 763 and NSF-8 Standards