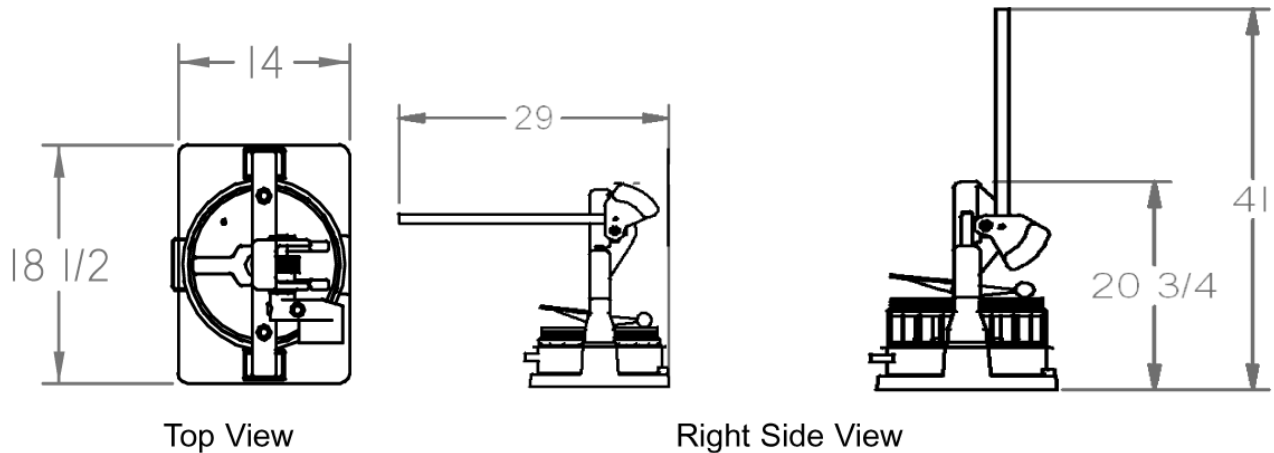


MODEL BM-36

36-Part Manually Operated Dough Divider (1 oz - 4 oz each)



Machine Dimensions:

Width: 18-1/2" (46.99 cm) **Depth:** 14" (35.56 cm) **Height:** (incl. handle) 41" (104.1 cm)

Shipping Wt.: 189 lbs (85.05 kg) **Net Wt.:** 177 lbs (79.65 kg)

Shipping Class: 85 **FOB:** Superior, WI 54880

Shipping Dimensions: 19" x 25" x 33" (48.26 cm x 63.5 cm x 83.82 cm)

Stand Dim.: **Width:** 18-1/2" (46.99 cm) **Depth:** 23" (58.42 cm) **Height:** 28-1/2" (72.39 cm)

Stand Shipping Wt: 35 lbs (15.88 kg) **Shipping Dimensions:** 24" x 25-1/2" x 4-1/2"

Manually Operated Dough Divider (Bench Model)

Note: Must be mounted to a Bench, Table or optional **Portable Stand (P/N B4-436-0072)**

Mounting bolt hole pattern (on center): 16-7/8" x 12-1/2"

Standard: White Enamel Finish & (1) Stainless Steel Pan, Stainless Steel Knives

Options: **Portable Stand** with toe-lock Casters & Shelf (P/N B4-436-0072)

(mounting hardware included)

Extra Stainless Steel Pans (P/N BM-17A)