

# Proofer Cabinet (Non-Insulated)

Your best choice for proofing

- Digital Thermometer
- Temperature adjustable to approximately 160° F\*
- Exterior mounted controls
- Easy to use heat unit with separate temperature and humidity controls
- Available in clear or solid aluminum door with magnetic handle latch
- Dutch doors available on both clear and solid models
- Blower fan and pan stop provide uniform heat distribution throughout cabinet
- Furnished with 16 pair of 5½" universal pan supports to accommodate a wide range of pans and screens
- 5" x 1¼" High Tech grey non-marking swivel casters (2 w/brakes)
- Electrical: 120 volt, 15 amp. circuit, 1500 watts, 60 cycle, single phase, 8 foot cord with 3 prong plug

Options: 1½" or 3" pan supports  
 Perimeter or corner bumpers  
 Push handle  
 Hasp lock  
 See page 59 for Casters

## Full-Size



CA72-PF-CD-R



MODEL NUMBER DESCRIPTION	CENTER SPACING	DIMENSIONS H x W x D (INCHES)	PAN CAPACITY	WEIGHT (LBS.)
CA72-PF-CD-R Clear Door	1½"	70 x 28½ x 35½	Up to 35	189
CA72-PF-CDD-R Clear Dutch Door	1½"	70 x 28½ x 35½	Up to 35	195
CA72-PF-SD-R Solid Aluminum Door	1½"	70 x 28½ x 35½	Up to 35	192
CA72-PF-SDD-R Solid Aluminum Dutch Door	1½"	70 x 28½ x 35½	Up to 35	198

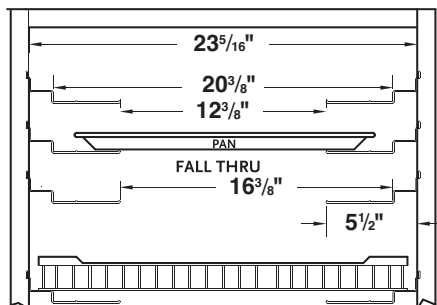
(-R) Right hand hinge is standard, please indicate (-L) for left hand hinge.

\*Ambient air temperature may affect heating performance

## Dutch Door



CA72-PF-SDD-R



## Pan Support Options

