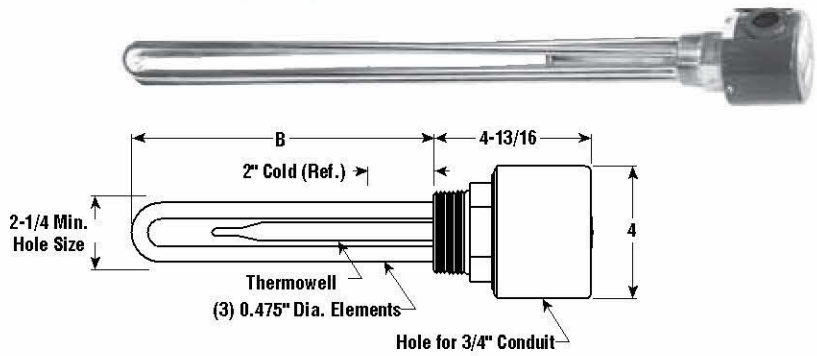


Immersion

EMTI-3 Mildly Corrosive Solution Applications

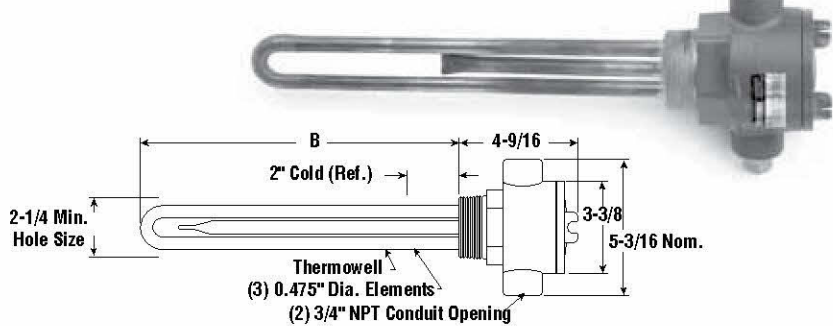
- 2" NPT Stainless Steel Screw Plug
- INCOLOY® Sheath Elements
- Medium Watt Density (23 W/In²)
- 3 - 9 kW
- Without Thermostat
- 240 and 480 Volt, Three Phase
- General Purpose, Moisture Resistant/Explosion Resistant Terminal Enclosure or Moisture Resistant

E1 — Dimensions (Inches)

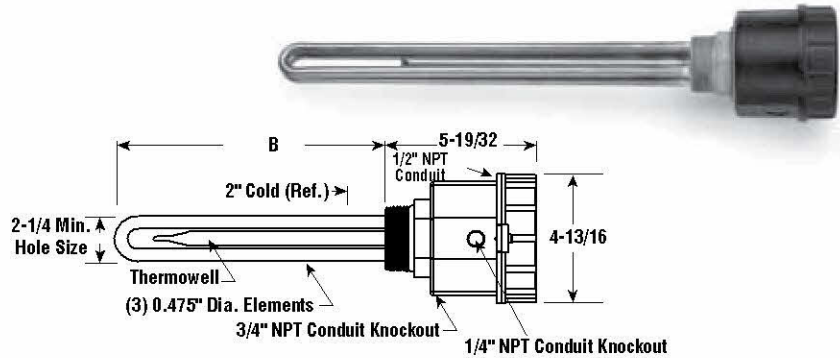


SCREW PLUG

E2 — Dimensions (Inches)



E4TP — Dimensions (Inches)



Specifications and Ordering Information

						E1 General Purpose ¹				E2 Moisture Resistant/ Explosion Resistant ²				E4 Moisture Resistant			
kW	Volts	Phase	W/In ²	No. Elem.	DIM B (In.)	Model	Stock	PCN	Wt. (Lbs.)	Model	Stock	PCN	Wt. (Lbs.)	Model	Stock	PCN	Wt. (Lbs.)
3	240	3	23	3	17-3/4	EMTI-3030	AS	091889	6	EMTI-3030E2	AS	033291	9	EMTI-3030E4TP	AS	060791	12
3	480	3	23	3	17-3/4	EMTI-3030	AS	091897	6	EMTI-3030E2	AS	033304	9	EMTI-3030E4TP	AS	060804	12
4.5	240	3	23	3	24-7/8	EMTI-3045	AS	091900	7	EMTI-3045E2	AS	033312	10	EMTI-3045E4TP	AS	060839	13
4.5	480	3	23	3	24-7/8	EMTI-3045	AS	091918	7	EMTI-3045E2	AS	033320	10	EMTI-3045E4TP	AS	060847	13
6	240	3	23	3	32-7/16	EMTI-3060	AS	091926	9	EMTI-3060E2	AS	033339	12	EMTI-3060E4TP	AS	060898	15
6	480	3	23	3	32-7/16	EMTI-3060	AS	091934	9	EMTI-3060E2	AS	033347	12	EMTI-3060E4TP	AS	060900	15
7.5	240	3	23	3	40-3/8	EMTI-3075	AS	091942	10	EMTI-3075E2	AS	033355	13	EMTI-3075E4TP	AS	060935	16
7.5	480	3	23	3	40-3/8	EMTI-3075	AS	091950	10	EMTI-3075E2	AS	033363	13	EMTI-3075E4TP	AS	060943	16
9	240	3	23	3	47-7/8	EMTI-3090	AS	091969	12	EMTI-3090E2	AS	033371	15	EMTI-3090E4TP	AS	060951	18
9	480	3	23	3	47-7/8	EMTI-3090	AS	091977	12	EMTI-3090E2	AS	033380	15	EMTI-3090E4TP	AS	060960	18

Stock Status: S = stock AS = assembly stock NS = non-stock
To Order—Specify model, volts, phase, kW, PCN and quantity.

1. Heaters with General Purpose Enclosures are UL Listed and CSA Certified.
2. Heaters with Moisture Resistant/Explosion Resistant Enclosures are cCSA_{US}® Certified.