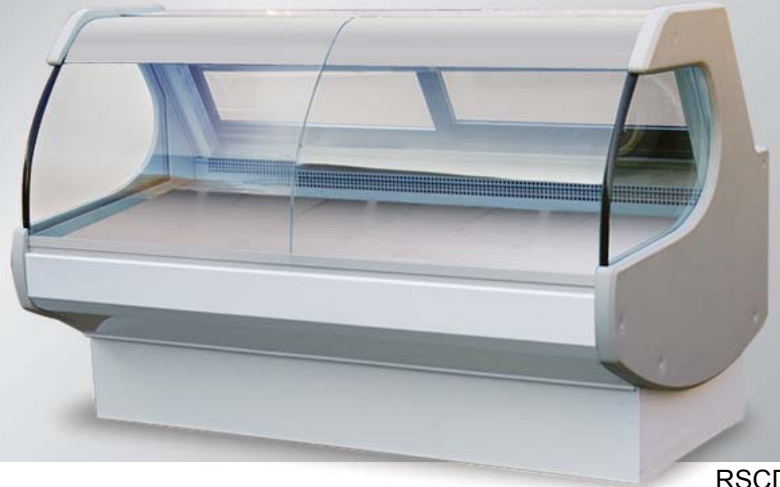


RSCD

Curved Glass, Self Contained

**REFRIGERATED
DELI/MEAT/CHEESE/SALAD
CASE W/ SLIDING BACK DOOR**

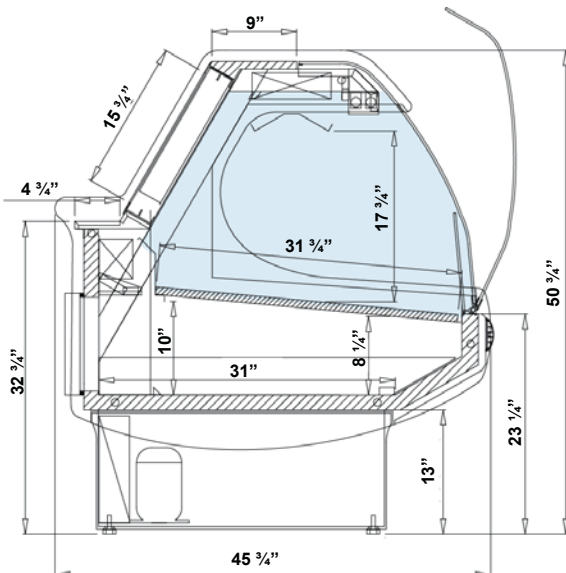


RSCD6

Standard features

- Curved front glass
- Stainless-steel top counter
- Upon request: stainless-steel flat plates, steps or white wire shelves
- Interior LED lighting
- ABS sides
- Front and base white finish
- Automatic defrost cycle
- Front glass defogging system (self-contained case only)
- Gravity cooling system
- Digital temperature display
- Automatic condensation disposal
- Front bumper - different colors available
- Additional refrigerated under-shelf storage cabinet

Technical Drawings



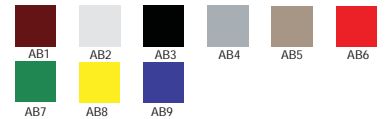
Options

- Remote compressor
- Possibility of multiplexing
- All stainless-steel base and front
- Mezzanine shelf with light
- Variety of finished colors
- Fresh seafood display case (RSCFID) available

Metal elements colors



Plastic sides colors



Aluminum profiles colors



Dimensions

Model	Dimension W x D x H	Weight (lbs / kg)
RSCD4	52 1/2" x 45 3/4" x 50 3/4"	401 / 180
RSCD6	76 1/2" x 45 3/4" x 50 3/4"	529 / 240
RSCD8	100 3/4" x 45 3/4" x 50 3/4"	794 / 360

*** Endless lineup, any length available**

Voltage

- RSCD4,6 : 115V / 1ph / 60 Hz / 8A, max. fuse: 15A
- RSCD8 : 115V / 1ph / 60 Hz / 15A, max. fuse: 20A

* Specifications are subject to change without notice.

**All measurements are approximates.

***All equipment designed to operate in controlled environment below 75°F (+24°C) temperature and HR 55% relative humidity.