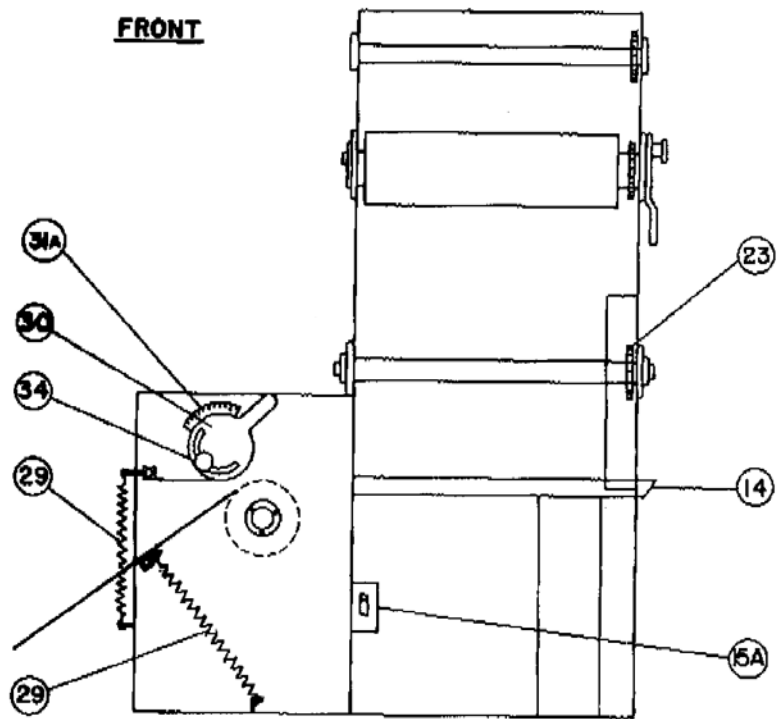
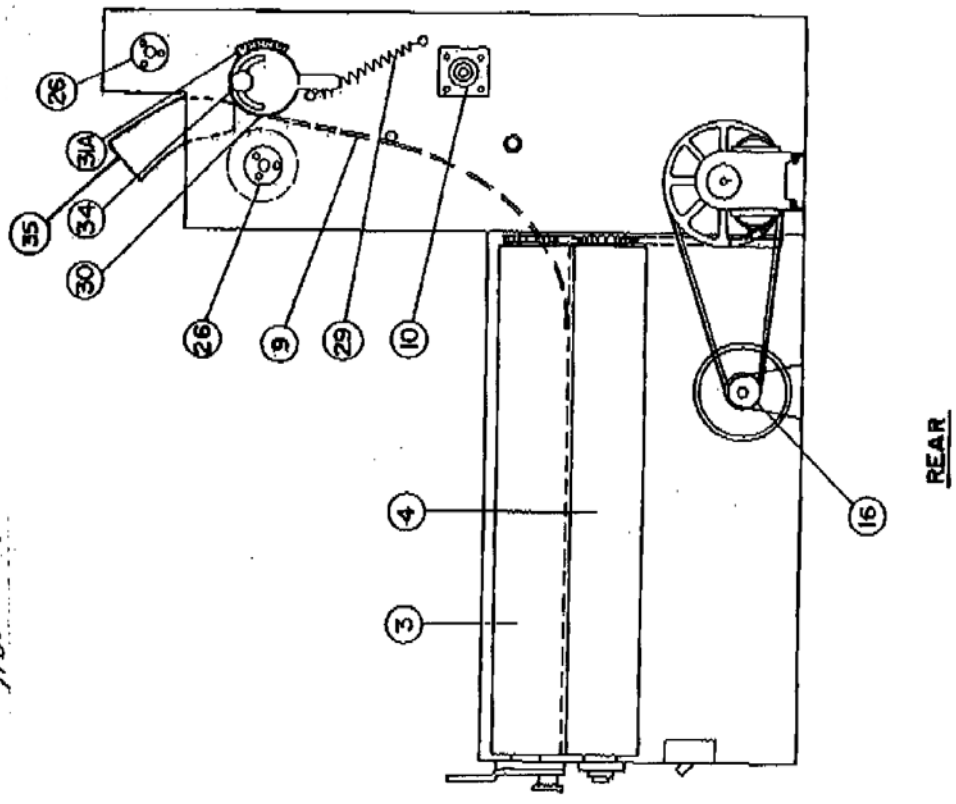


**FRONT**

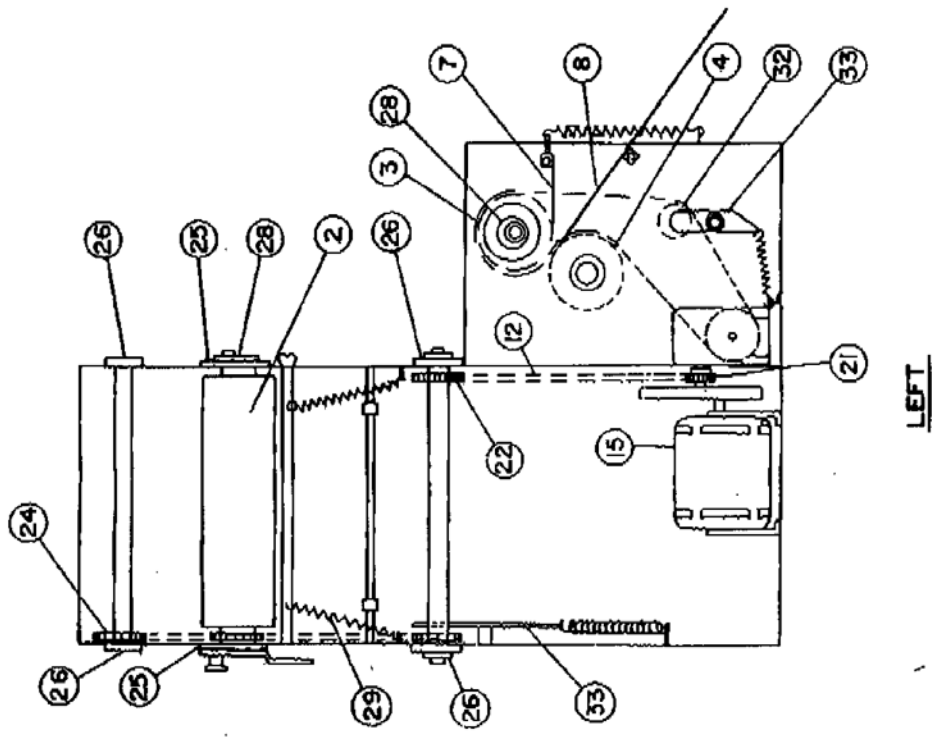


**RIGHT**

*Model 187*



REAR



LEFT

# PARTS REPLACEMENT LIST — ACME PIZZA ROLLER — MODEL #7

Item	Part. No.	Req'd.	PART DESCRIPTION	Item	Part. No.	Req'd.	PART DESCRIPTION
1	7-1	1	Upper Set: Front 10" Roller—Sprocket Attached	17	7-17	1	6" Cast Iron Pulley
2	7-2	1	Upper Set: Back 10" Roller—Sprocket Attached	18	7-18	1	A-Section V Belt #4L330
3	7-3	1	Lower Set: Top 20" Roller—Sprocket Attached	19	7-19	1	Gear Reducer 5:1 Ratio
4	7-4	1	Lower Set: Bottom 20" Roller—Sprocket Attached	20	7-20	1	Reducer Drive Sprocket 40-B-24
5	7-5	*1	Upper Set: Front 10" Clock Spring Scraper—Complete with Holder	21	7-21	1	Reducer Drive Sprocket 40-B-10
6	7-6	*1	Upper Set: Back 10" Clock Spring Scraper—Complete with Holder	22	7-22	1	Shaft Drive Sprocket 40-B-18
7	7-7	*1	Lower Set: Front 20" Clock Spring Scraper—Complete with Holder	23	7-23	1	Shaft Drive Sprocket 40-B-10
8	7-8	1	Lower Set: 13" x 18" Slide Scraper	24	7-24	1	Upper Idler Sprocket with Bearing 40-B-18
*Blue Steel Scraper BLADES only; 10" & 20" (Please indicate from Parts List the Part No. of Scraper on which blade will be replaced)							
9	7-9	1	Curved Slide Plate	25	7-25	4	Large Castings
10	7-10	2	Flange Bearings	26	7-26	6	Small Castings
11	7-11	1	No. 40 Upper Drive Chain	27	7-27	8	Roller Bearings
12	7-12	1	No. 40 Intermediate Chain Section	28	7-28	2	Eccentrics
13	7-13	1	No. 40 Bottom Front Chain Section	29	7-29	10	Scraper Springs & Idler Springs
14	7-14	1	Feed Pan	30	7-30	2	Roller Adjustment Handles
15	7-15	1	Drive Motor ½ H.P.—60 Cy.—1 Ph.	31A	7-31A	2	Small Roller Adjustment Gauge
15A	7-15A	1	Motor Off/On Switch	32	7-32	2	Idler Sprocket 40-B-10
16	7-16	1	2" Motor Pulley	33	7-33	2	Idler Assembly, Complete
				34	7-34	2	Knobs—Short Thread
				35	7-35	1	Hopper