

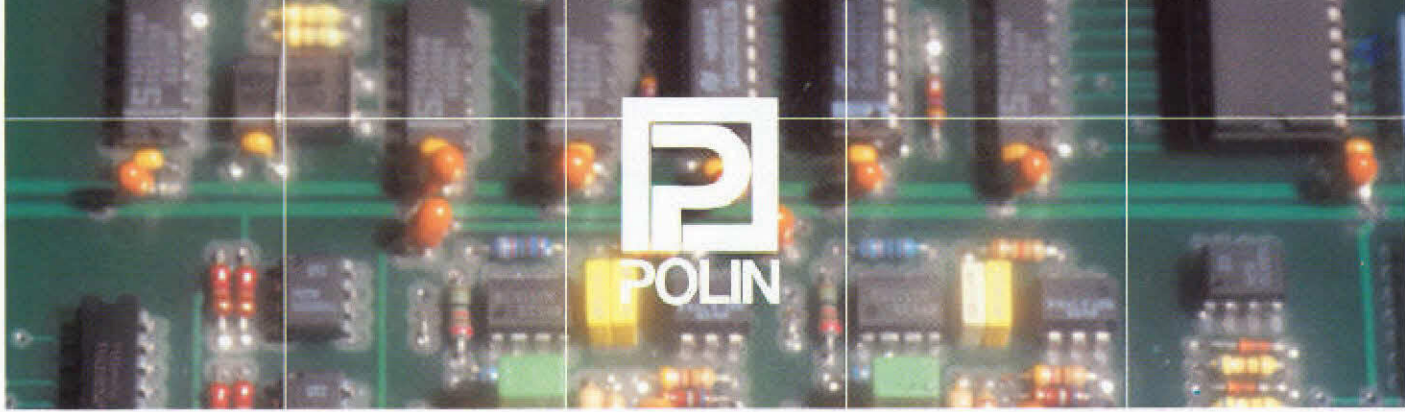


MULTI-DROP

COMPUTER SYSTEM

creative

DROP MACHINE FOR BISCUITS





HEAD INTERCHANGEABILITY FOR HARD AND SOFT DOUGH

The hard dough roller head is used for depositing or extruding dough of hard consistency. The rotation roller grooves compress the dough through the nozzles to form various types of biscuits of constant weight and dimensions. By fitting two hopper adaptors the machine can also deposit material which has been whipped or creamed to a suitable consistency. The pump head or soft dough head is complementary to the hard dough head and is only suitable for depositing liquid or fluid dough. The rotation of the gears can be reversed to produce the delicate suction of the dough from the hopper through the nozzles without compressing the material to afford maximum lightness and development of the product after baking.



HARD DOUGH ROLLER HEAD



**ROLLER HEAD WITH ADAPTORS
FOR SOFT DOUGH**



PUMP HEAD FOR SOFT DOUGH



**COMPUTER
SYSTEM**

The choice of shape and size for the products and the adjustment of controls for the MULTI-DROP are managed by a microprocessor with 99 programmes. The various parameters are visually displayed on the liquid crystal panel, and can be rapidly recalled using the digital keyboard, according to the programme required from the pre-selected memory. The microprocessor informs the operator of any errors occurring during the programme selection and gives the necessary data for a complete check and diagnosis.



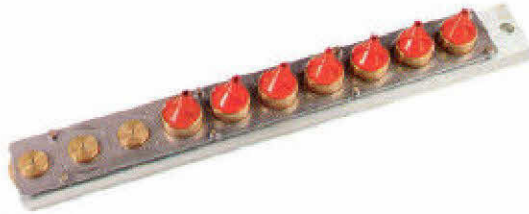
The machine is extremely compact (only 115x79 cm overall with the table dismantled!) and is equipped with four rotating casters to allow for easy movement. Fabricated completely in stainless steel to allow for easy cleaning, the machine is equipped with the usual safety devices.

USABLE MOULD TYPES

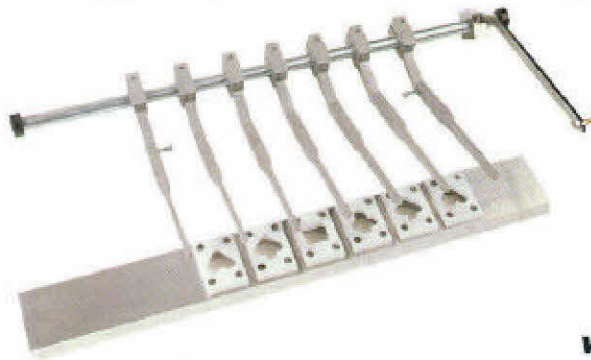
MACHINE MODEL
E R L XL



stationary



rotary



wire cut



stationary



rotary



stationary

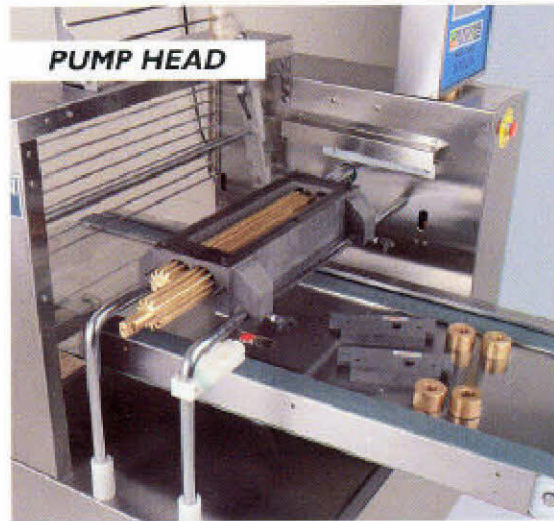


for sponge cake



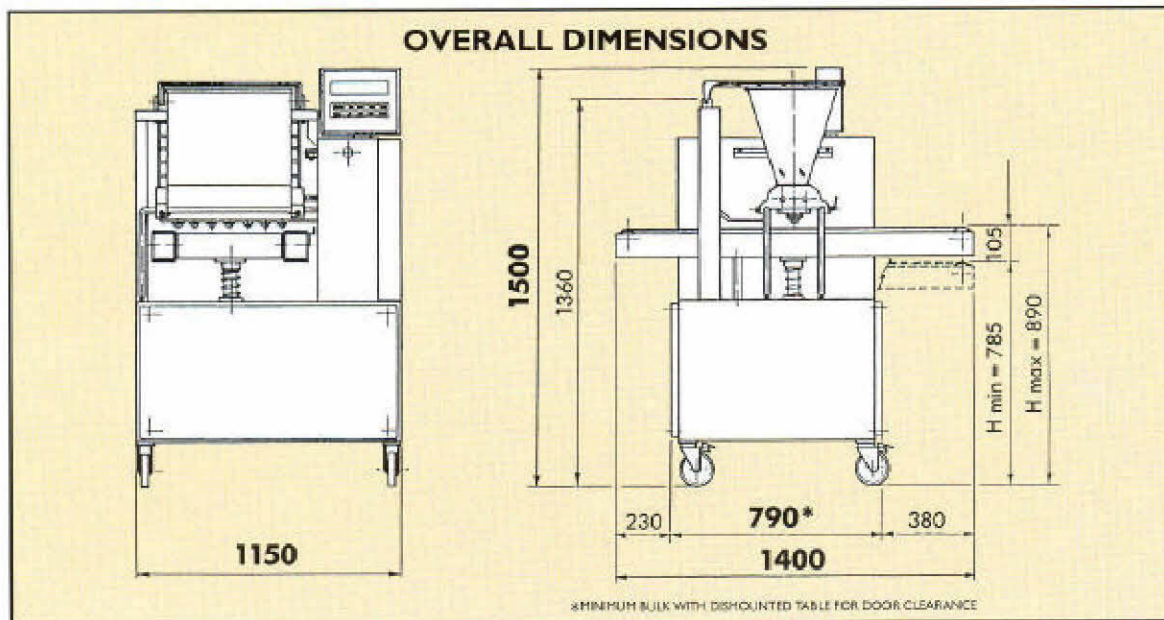


ROLLER HEAD



PUMP HEAD

Hoppers, supports and rollers for both heads are easily dismantled.
 Each piece is made to handle easily, especially for cleaning.
 Clear identification marks of the head assembly for rapid dismantling and re-assembly.



TECHNICAL DATA				
MACHINE TYPE	WEIGHT KG	POWER KW	TRAY DIMENSIONS mm	
			WIDTH	LENGTH
40/46 MTR / E-R-L-XL / MD 390	320	1.6	400 - 460	600 - 660 - 800
60/66 MTR / E-R-L-XL / MD 390	340	1.6	600 - 660	600 - 660 - 800

DIMENSIONS AND TECHNICAL DATA ARE NOT BINDING

