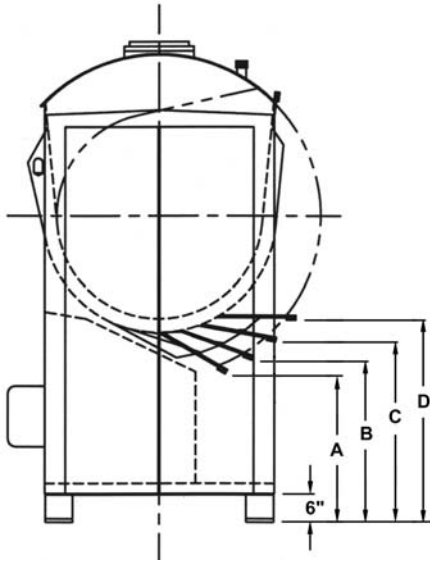
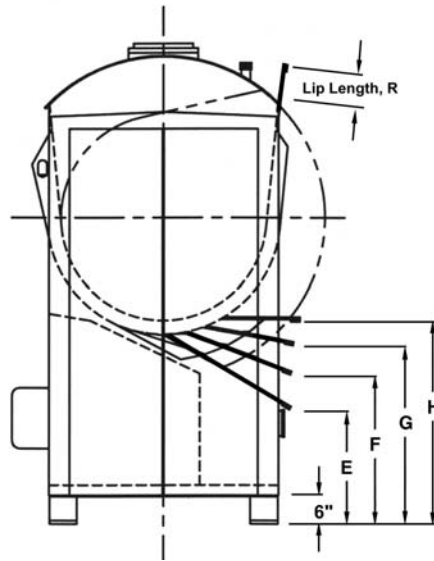


Peerless®

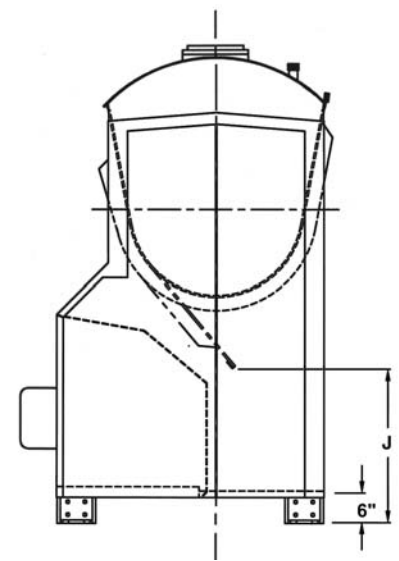
ROLLER BAR MIXER for Flour Tortillas



Tilt Height with
Standard 2" Lip



Tilt Height with Extended Lip



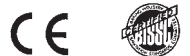
Overtilt Option
140°

(INCHES)

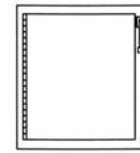
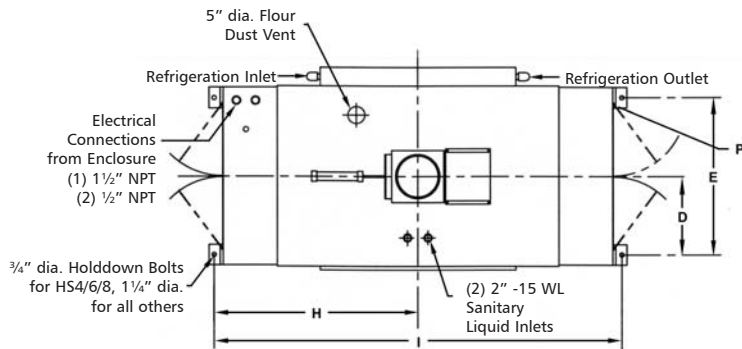
TILT ANGLE	120°			110°			100°			90°			OVERTILT OPTION 140°	
DIMENSION	A	R	E	B	R	F	C	R	G	D	R	H	J	R
HS4	28 3/8	7	25 1/4	32	2	32	36	2	36 1/4	40 1/2	2	40 1/2	24	2
HS6	27 1/4	10	22 1/2	30 1/2	4	29 1/4	34	2	34 1/2	38 1/4	2	38 1/4	23 3/4	2
HS8	26	12	20	29	6	27	32 1/4	2	32 1/4	36 1/4	2	36 1/4	23 1/4	2
HS10	29	13	22 1/2	32 1/4	7	30	36 1/4	2	36 1/4	41	2	41	25 1/4	2
HS13	28	15	20 1/4	31	9	27 3/4	34 1/2	4	34 1/4	39	2	39	25	2
HS16	33 3/4	15	26	37	9	34	41	3	41	46	2	46	30 1/4	2
HS20	32 3/4	18	23 1/4	35 3/4	11	31 3/4	39 1/2	5	38 3/4	44	2	44	30	2
HS24	32 3/4	20	22	35 3/4	13	31	39 1/2	7	38 1/4	44	3	44	30	2
HS28	30 1/4	17	21 1/2	33 3/4	10	30 1/4	37 1/2	4	37 1/2	43	3	43	27	2
HS32	30 1/4	17	21 1/4	33 1/2	9	30 1/4	37 3/4	5	37	42 1/2	2	42 1/2	27 1/2	2

Due to the continuous effort of Peerless Engineering to improve performance, dimensional data and specifications are subject to change without notice.

Dimensions are for reference only. Please refer to the Certified Data Drawing for final specifications.

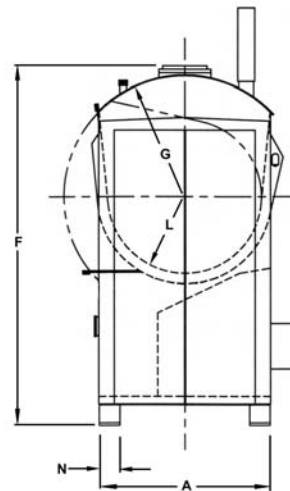
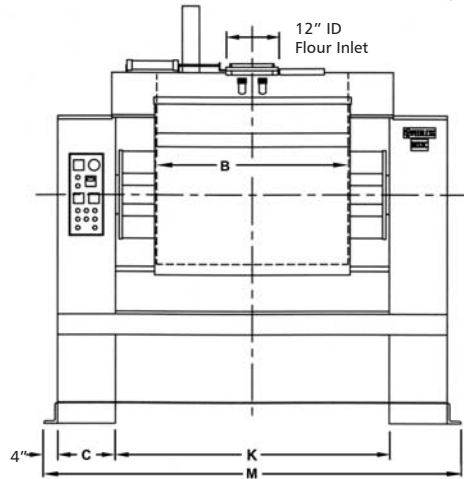


Peerless® ROLLER BAR MIXER for Flour Tortillas



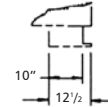
NEMA 12 Remote Mounted Starter Enclosure

NOTE:
Starter enclosure dimensions subject to motor horsepower and voltage.



NOTE:
Dimension "J" is required behind Mixer to easily remove Motor and Reducer, On most models, Motor and Reducer can be removed through end of the Mixer also.

Legs for HS4/HS6/HS8



DIMENSIONS (Inches)

MODEL	A	B	C	D	E	F	G	H	I	J	K	L	M	N	P
HS4	40	32	12 1/2	17	34	88 1/2	30	41 3/4	83 1/2	26	56	14	86	6	15 1/2
HS6	40	32	12 1/2	17	34	88 1/2	30	41 3/4	83 1/2	26	56	16	86	6	15 1/2
HS8	40	36	12 1/2	17	34	88 1/2	30	43 3/4	87 1/2	26	60	18	90	6	15 1/2
HS10	46	45	17	20	40	96 3/4	33	54	108	28	69	18	111	6	18 1/2
HS13	46	50	17	20	40	96 3/4	33	56 1/2	113	28	74	20	116	6	18 1/2
HS16	50	56	17	22	44	105 3/4	35	59 1/2	119	32	80	20	122	6	20 1/2
HS20	50	56	17	22	44	105 3/4	35	59 1/2	119	32	80	22	122	6	20 1/2
HS24	54	67	17	22 1/2	45	105 3/4	35	65	130	32	91	22	133	9	22 1/2
HS28	54	67	17	22 1/2	45	108 3/4	38	65	130	32	91	23	133	9	22 1/2
HS 32	54	67	19	22 1/2	45	108 3/4	38	67	134	32	91	24	137	9	22 1/2

SPECIFICATIONS

MODEL	Mixing Capacity (Pounds)	Working Capacity (Cu. Ft.)	Drive Motor H.P.	Total Load (KVA)	Tilt Motor H.P.	Approx. Floor Load (Lbs./Sq. Ft.)	Net Weight (Pounds)	Approx. Shipping Weight (Pounds)
HS4	400	12.9	25/12.5	30	5	4,750	9,500	10,000
HS6	600	17.2	30/15	35	5	5,090	10,000	10,500
HS8	800	24.0	40/20	45	5	5,420	10,500	11,000
HS10	1,000	30.2	50/25	55	5	4,590	12,000	12,500
HS13	1,300	41.3	60/30	65	5	5,500	14,300	15,000
HS16	1,600	47.6	75/37.5	80	5	6,500	16,800	17,500
HS20	2,000	56.3	100/50	105	5	7,160	18,300	19,000
HS 24	2,400	69.5	125/62.5	130	5	5,460	20,800	21,500
HS28	2,800	74.2	150/75	155	5	5,980	22,600	23,500
HS32	3,200	79.9	175/87.5	180	5	5,770	24,200	25,000

AGITATOR SPEEDS

standard Two Speed Models:

Low - 35 RPM

High - 70 RPM

Single Speed and variable speed versions are available as options.

Dimensions are for reference only. Please refer to the Certified Data Drawing for final specifications.



500 S. Vandemark Road
Sidney, OH 45365-0769 • USA
Tel: 937.492.4158 • 800.999.3327
Fax: 937.492.3688
www.thepeerlessgroup.us