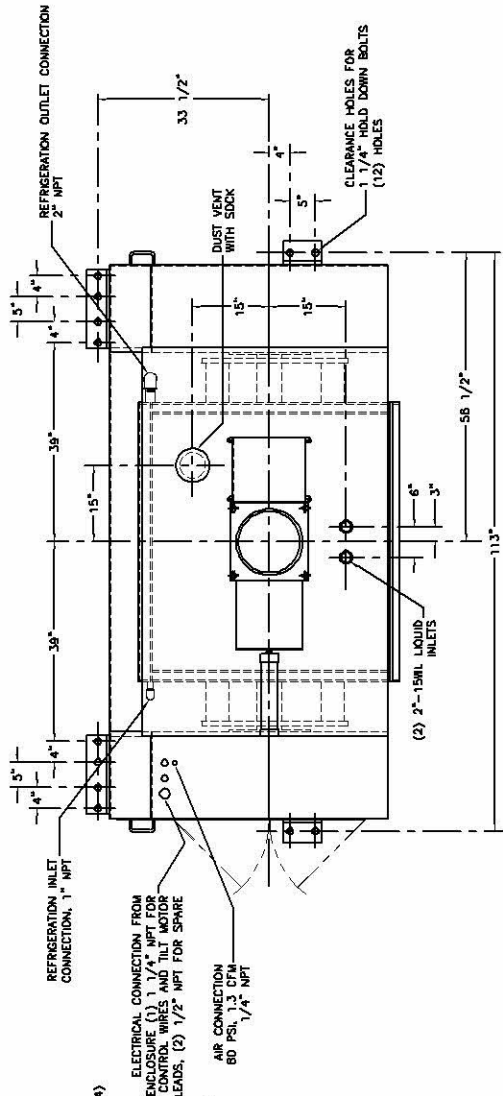
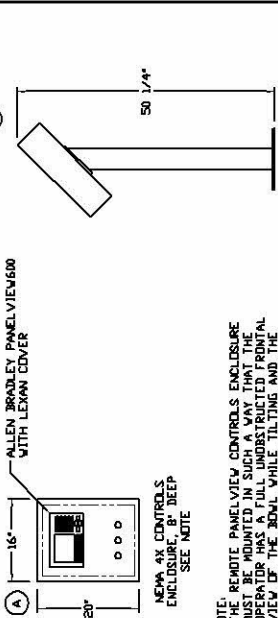


DATE	REV	DESCRIPTION	BY	CHKD
10/25/04	A	REM P/600 FROM COLUMN-REMOTE	MM	7134 AM RJ
11/23/04	B	ADD PEDESTAL		17456 DL RJ



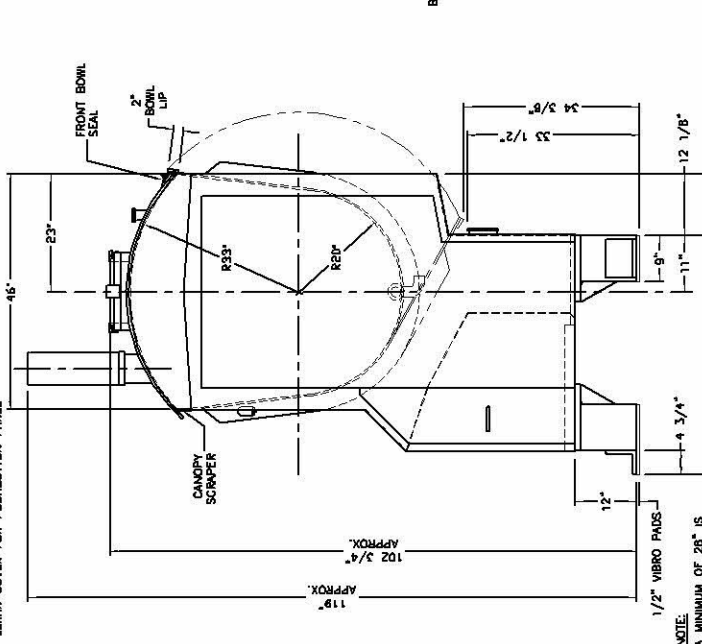
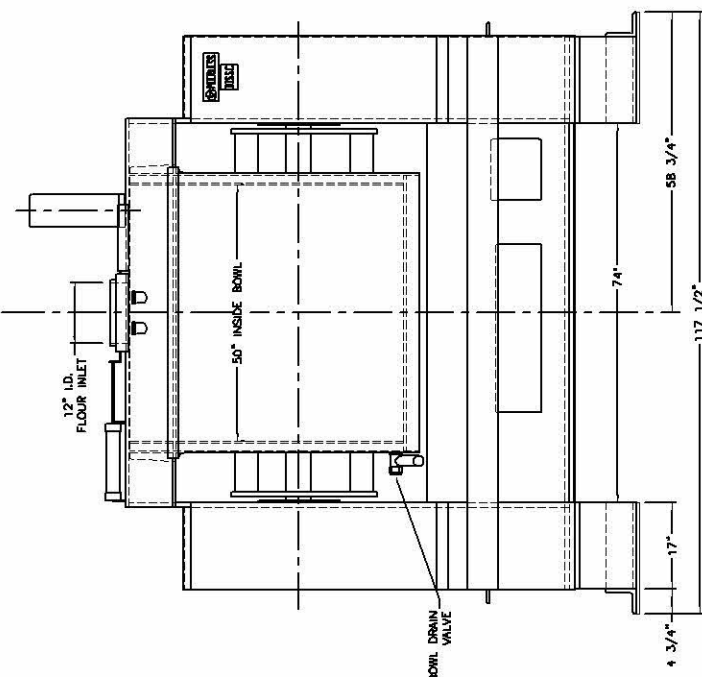
MIXER FEATURES

- 75/27.5 HP 1800/900 RPM TEFC SANITARY DRIVE MOTOR
- 575 V, 3 PHASE 60 HERTZ WITH FULL 115 VOLT MAGNETIC CONTROLS
- NEMA 4X STAINLESS WATER TIGHT ELECTRICAL ENCLOSURE WITH CIRCUIT BREAKER DISCONNECT AND PROGRAMMABLE LOGIC CONTROLLER (AG 5/04)
- SOLID STAINLESS STEEL BOWL ASSEMBLY
- SOLID STAINLESS STEEL BOWL COVER
- SOLID STAINLESS STEEL EXTERIOR
- SOLID STAINLESS STEEL WELDED IN DRIP PAN/FROST PANEL AND BOWL END COOLING WITH PEERLESS-COLD BAR SYSTEM
- SOLID STAINLESS STEEL BUMPER BAR ASSEMBLY
- SANITARY REMOVABLE SHIRT SEALS
- AGITATOR SPEEDS: 35 RPM LOW 70 RPM HIGH
- HYDRAULIC POWERED BOWL TILT - 120°
- BOWL DRAIN VALVE
- SAFETY PROXIMITY SWITCHES ON END DOORS
- CANDY SCRAPER
- SINGLE END CHAIN DRIVE W/ AUTOMATIC CHAIN OILER
- MANUAL CENTRAL LUBRICATION
- FRONT BOWL SEAL
- FLOUR DUST VENT WITH SOCK IN CANOPY
- (2) SANITARY LIQUID INLETS IN CANOPY
- PNEUMATIC SANITARY SLIDING FLOUR GATE IN CANOPY
- LEXAN COVER FOR PUSHBUTTON PANEL



NOTE: THE REMOTE PANELVIEW CONTROLS ENCLOSURE MUST BE MOUNTED IN SUCH A WAY THAT THE OPERATOR HAS AN UNOBSTRUCTED VISUAL VIEW OF THE BOWL WHILE TILTING AND THE AGITATOR JOGGING. FAILURE TO DO SO WOULD CREATE AN UNSAFE CONDITION.

PEERLESS MODEL HS13HD TRIPLE ROLLER BAR MIXER



Peerless®
 THE PEERLESS GROUP
 PEERLESS VALVE COMPANY, INC.
 10000 W. 10TH AVENUE, SUITE 100
 DENVER, CO 80231-2200
 TEL: 303.440.1200 FAX: 303.440.1201
 WWW.PEERLESS.COM

TOLEANCES UNLESS OTHERWISE SPECIFIED:
 DIMENSIONS IN PARENTHESIS ARE MINIMUMS
 DIMENSIONS IN SQUARES ARE MAXIMUMS
 DIMENSIONS IN CIRCLES ARE TOLERANCES
 DIMENSIONS IN BRACKETS ARE TOLERANCES

DATE: 11-12
 DRAWN BY: [blank]
 CHECKED BY: [blank]
 APPROVED BY: [blank]

CERTIFIED DATA SHEET
 CDSZ04174