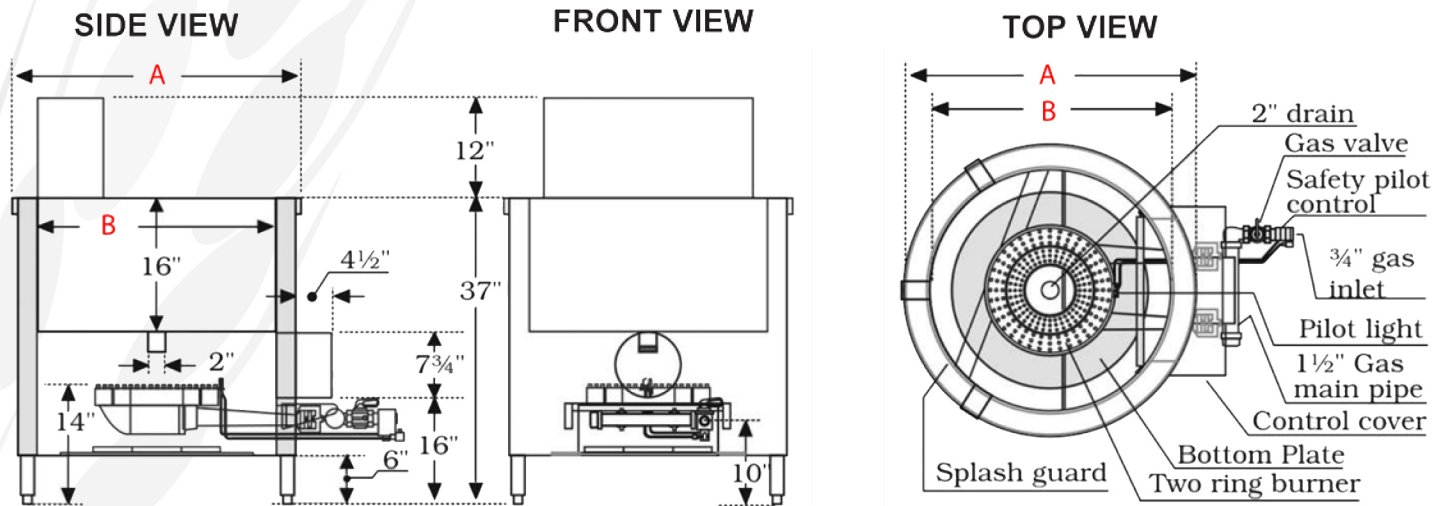


TANK DIMENSIONS

MODEL	CAPACITY	EXTERIOR DIMENSIONS (A)	INTERIOR DIMENSIONS (B)	INTERIOR DEPTH	WEIGHT
BAGEL KETTLE	45 Gal.	35"	29"	16"	340lbs

GAS

CONNECTION	BTU/Hr	FLUTE OUTLET	HOOD DIMENSIONS (C)
3/4"	200,000	8"	48" X 48"



BECOM SALES.COM, INC.

Main Warehouse

409 W. Cooper Street, Tipton MO 65081

Corporate Headquarters

5500 Olympic Drive
STE H105 - PMB 117, Gig Harbor, WA 98335

Customer Service

PH: 360-255-7467, 888-869-5737
FX: 253-276-0244 sales@becomsales.com