

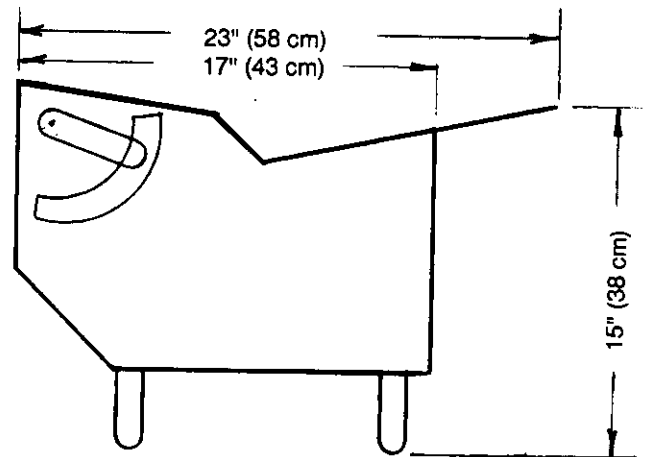
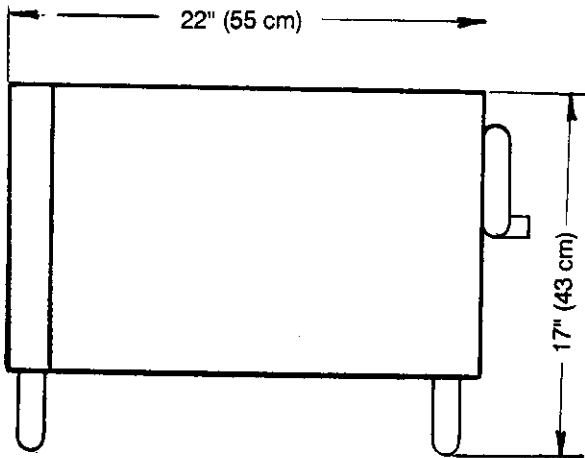
# SOMERSET

# MODEL CDR-500

## FEATURES:

- Synthetic rollers, eliminate dough build up
- Safety sensors for automatic shutoff
- Compact design, ideal for use in limited space
- Sanitary, heavy duty, all stainless steel welded construction
- Spring loaded scrapers readily removable for easy cleaning
- Simple handle adjustments for exact uniform dough thickness
- Ergonomic design for easy operation
- Maintenance free drive mechanism
- Drive mechanism isolated from roller area
- Safe...simple...easy to operate...easy to clean

## DIMENSIONS:



## SPECIFICATIONS:

**ROLLERS:** 3.5" (8.89cm) Dia. by 20" (50.80 cm.) Length.

**SCRAPERS:** Synthetic, Spring Loaded, Removable.

**BEARINGS:** Sealed Ball Bearings, Permanently Lubricated.

**GEAR MOTOR:** Heavy Duty 3/4 HP Maintenance Free.

Single Phase, 115V, 60Hz or 220V, 50Hz.

**FINISHING:**

All Stainless Steel.

**LEGS:**

4" Adjustable, Sanitary Stainless Steel.

**SHIPPING WEIGHT:**

150 lbs (68 kgs).

CDR5001M0401

SPECIFICATIONS SUBJECT TO CHANGE WITHOUT NOTICE

MADE IN U.S.A