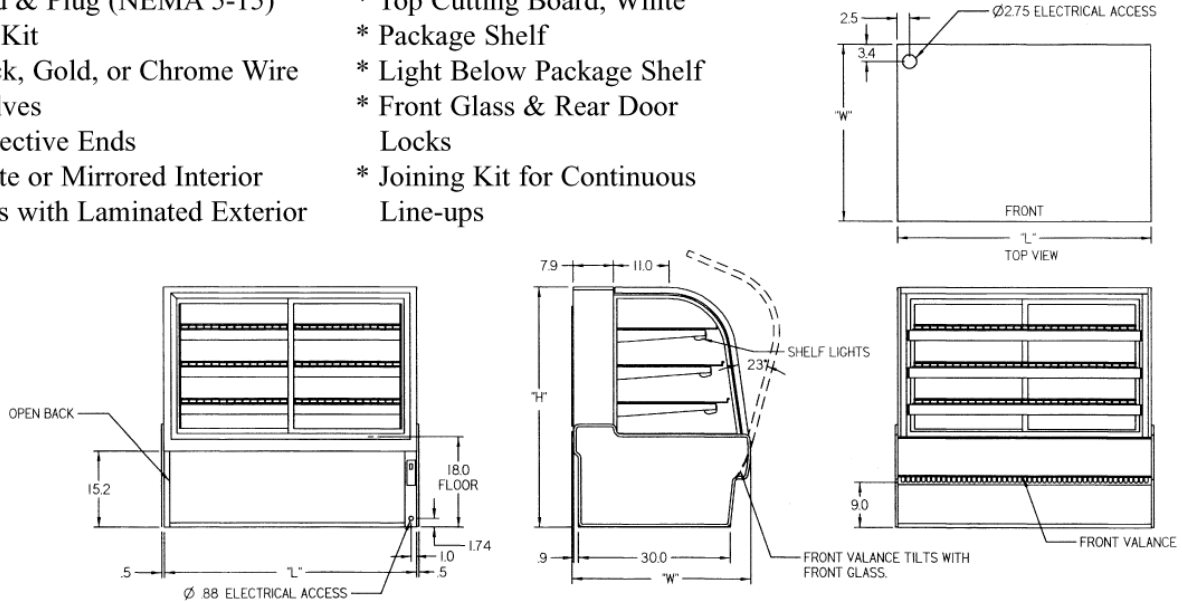


CURVED GLASS NON-REFRIGERATED BAKERY CASE

OPTIONAL ACCESSORIES:

- * Special Base Finish
- * Glass Shelves
- * Rear Wrapping Board
- * Cord & Plug (NEMA 5-15)
- * Fan Kit
- * Black, Gold, or Chrome Wire Shelves
- * Reflective Ends
- * White or Mirrored Interior Ends with Laminated Exterior
- * Reflective Rear Doors
- * Casters/Cord & Plug Included
- * Legs
- * Top Cutting Board, White
- * Package Shelf
- * Light Below Package Shelf
- * Front Glass & Rear Door Locks
- * Joining Kit for Continuous Line-ups



SPECIFICATIONS:

Model	Dimensions			Capacity (Bakery Pan)	Electrical (120/60/1)
	L	W	H		
CGD3148	31.13"	x 35.31"	x 48"	4 (18" x 26") & 4 (9" x 26")	1.5 AMPS
CGD3642	36.13"	x 35.31"	x 42"	3 (18" x 26") & 3 (9" x 26")	1.5 AMPS
CGD3648	36.13"	x 35.31"	x 48"	4 (18" x 26") & 4 (9" x 26")	1.5 AMPS
CGD5042	50.13"	x 35.31"	x 42"	6 (18" x 26") & 3 (9" x 26")	1.5 AMPS
CGD5048	50.13"	x 35.31"	x 48"	8 (18" x 26") & 4 (9" x 26")	1.5 AMPS
CGD5942	59.13"	x 35.31"	x 42"	9 (18" x 26")	1.5 AMPS
CGD5948	59.13"	x 35.31"	x 48"	12 (18" x 26")	1.5 AMPS
CGD7742	77.13"	x 35.31"	x 42"	12 (18" x 26")	1.5 AMPS
CGD7748	77.13"	x 35.31"	x 48"	16 (18" x 26")	1.5 AMPS

- Due to continuing engineering improvements, specifications are subject to change without notice.



a Standex company