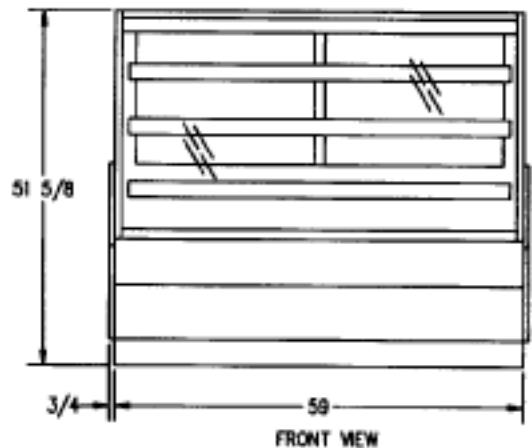
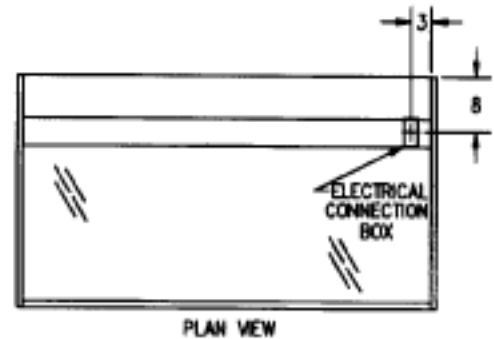
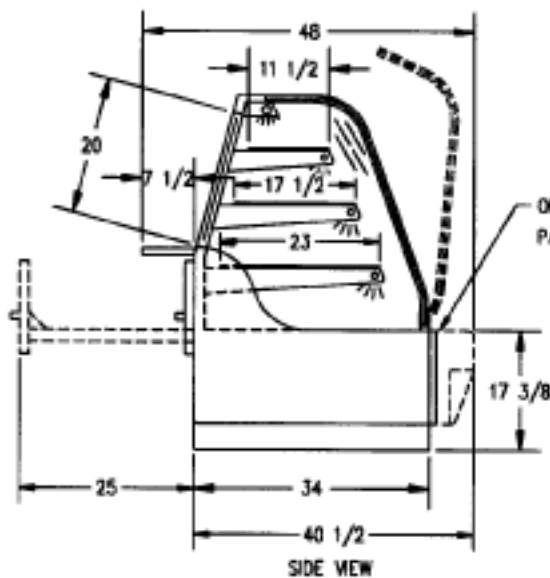


HI-STYLE REFRIGERATED DELI CASE

OPTIONAL ACCESSORIES:

- * Special Base Finish
- * Reflective Ends
- * Reflective Doors
- * Dial Thermometer
- * Remote Refrigeration
- * Case End Panels (Pair required for single case or line-up.)
- * Rear Door Lock
- * Step Pan Holder or Riser
- * Wire Shelves
- * Legs
- * Casters (Self-Contained Models Only)
- * Front Package Shelf
- * Light Below Package Shelf
- * Brass & Gold Tone Trim
- * Cord & Plug (Self-Contained Models Only)
- * Scale Platform



SPECIFICATIONS:

| Model | Dimensions | | | Shipping Weight (lbs) | Power 115/60/1 | Remote 115/20/1 |
|---------|------------|-----|---------|-----------------------|-------------------|--------------------|
| | L | W | H | | | |
| CGHIS-4 | 59" | 34" | 51 5/8" | 1,020 | 1/2 HP - 11 AMPS | 4.0 AMPS |

- Refrigerated cases are designed to operate in a maximum environment of 75° ambient and 55% relative humidity.
- Due to continuing engineering improvements, specifications are subject to change without notice.

