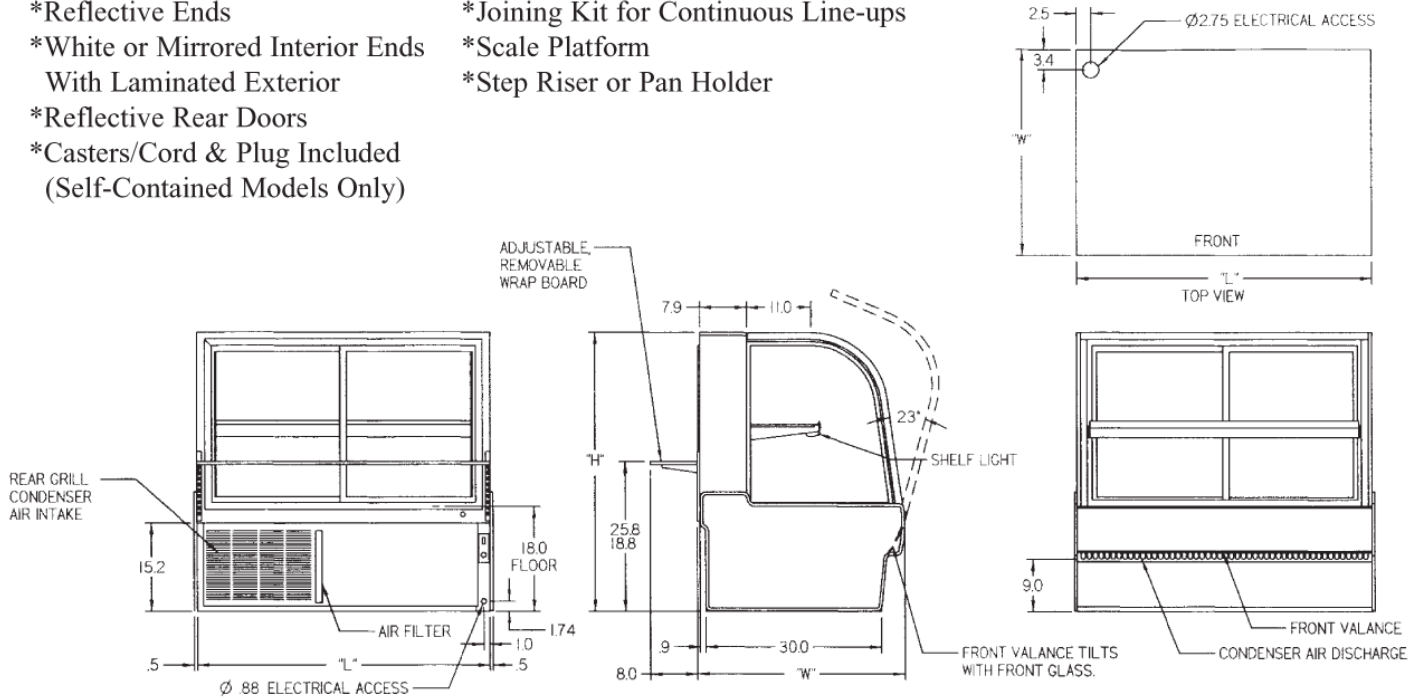


# CURVED GLASS REFRIGERATED DELI CASE

## OPTIONAL ACCESSORIES:

- |   |  |
|---|--|
| <ul style="list-style-type: none"> <li>*Special Base Finish</li> <li>*Additional Mezzanine Shelf</li> <li>*Cord &amp; Plug (Self-Contained Models Only)</li> <li>*Remote Refrigeration</li> <li>*Reflective Ends</li> <li>*White or Mirrored Interior Ends With Laminated Exterior</li> <li>*Reflective Rear Doors</li> <li>*Casters/Cord &amp; Plug Included (Self-Contained Models Only)</li> </ul> | <ul style="list-style-type: none"> <li>*Legs</li> <li>*Top Cutting Board, White</li> <li>*Package Shelf</li> <li>*Light Below Package Shelf</li> <li>*Front Glass and Rear Door Locks</li> <li>*Joining Kit for Continuous Line-ups</li> <li>*Scale Platform</li> <li>*Step Riser or Pan Holder</li> </ul> |
|---|--|



## SPECIFICATIONS:

Model	Dimensions L W H	Shipping Weight (lbs)	Capacity (Step Risers)	Self-Contained 120/60/1	Remote 120/60/1
CGR5048CD	50.13" x 35.31" x 48"	620	3	1/2 HP - 10.5 AMPS	2.3 AMPS
CGR5948CD	59.13" x 35.31" x 48"	650	4	1/2 HP - 11.6 AMPS	2.5 AMPS
CGR7748CD	77.13" x 35.31" x 48"	870	6	3/4 HP - 14.2 AMPS	3.3 AMPS

- Refrigerated cases are designed to operate in a maximum environment of 75° ambient and 55% relative humidity.
- Due to continuing engineering improvements, specifications are subject to change without notice.



**a Standex company**