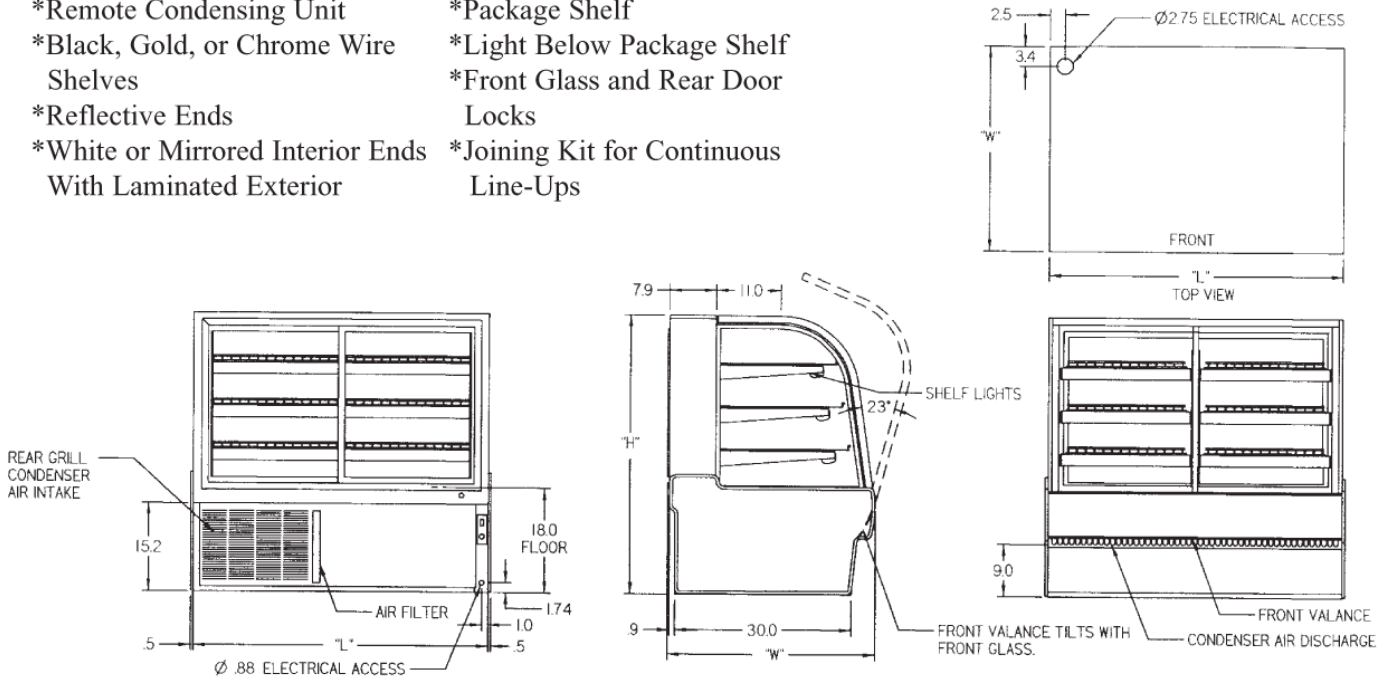


# CURVED GLASS DUAL ZONE CASE

## OPTIONAL ACCESSORIES:

- |  |  |
|--|--|
| <ul style="list-style-type: none"> <li>*Special Base Finish</li> <li>*Glass Shelves</li> <li>*Rear Wrapping Board</li> <li>*Cord &amp; Plug (Self-Contained Models Only)</li> <li>*Remote Condensing Unit</li> <li>*Black, Gold, or Chrome Wire Shelves</li> <li>*Reflective Ends</li> <li>*White or Mirrored Interior Ends With Laminated Exterior</li> </ul> | <ul style="list-style-type: none"> <li>*Reflective Rear Doors</li> <li>*Casters/Cord &amp; Plug Included (Self-Contained Models Only)</li> <li>*Legs</li> <li>*Top Cutting Board, White</li> <li>*Package Shelf</li> <li>*Light Below Package Shelf</li> <li>*Front Glass and Rear Door Locks</li> <li>*Joining Kit for Continuous Line-Ups</li> </ul> |
|--|--|



## SPECIFICATIONS:

Model	Dimensions L W H	Self-Contained 120/60/1	Remote 120/60/1
CGR5042DZ	50.13" x 35.31" x 42"	1/3 HP - 8.0 AMPS	2.5 AMPS
CGR5048DZ	50.13" x 35.31" x 48"	1/3 HP - 8.0 AMPS	2.5 AMPS
CGR5942DZ	59.13" x 35.31" x 42"	1/3 HP - 9.0 AMPS	3.0 AMPS
CGR5948DZ	59.13" x 35.31" x 48"	1/3 HP - 9.0 AMPS	3.0 AMPS
CGR7742DZ	77.13" x 35.31" x 42"	1/3 HP - 9.0 AMPS	3.0 AMPS
CGR7748DZ	77.13" x 35.31" x 48"	1/3 HP - 9.0 AMPS	3.0 AMPS

- Refrigerated cases are designed to operate in a maximum environment of 75° ambient and 55% relative humidity.
- Due to continuing engineering improvements, specifications are subject to change without notice.



a **Standex** company