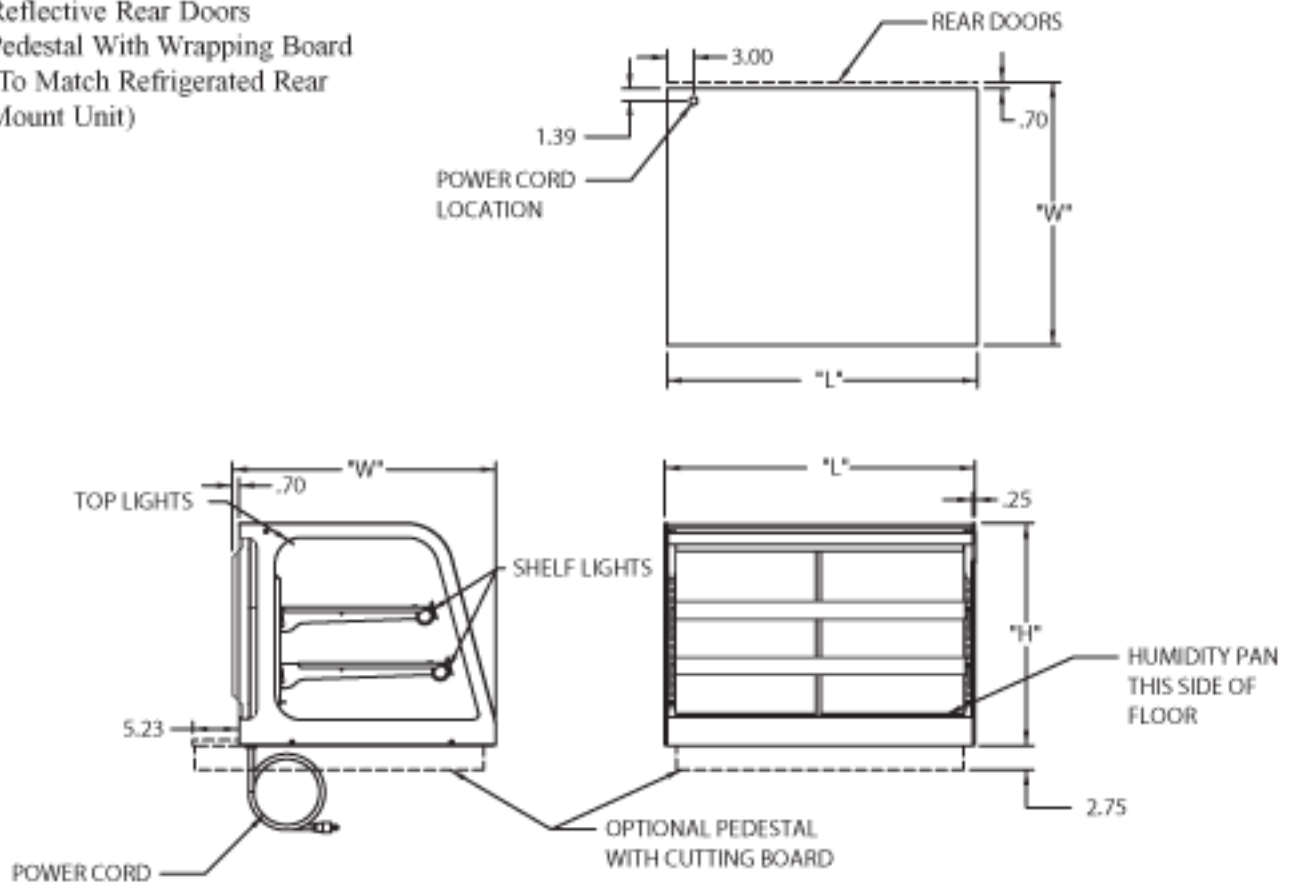


SIGNATURE SERIES

HOT COUNTER TOP MERCHANDISER

OPTIONAL ACCESSORIES:

- * Reflective Ends
- * Reflective Rear Doors
- * Pedestal With Wrapping Board
(To Match Refrigerated Rear Mount Unit)



SPECIFICATIONS:

Model	Dimensions			Shipping Weight (lbs)	Electrical 120/60/1
	L	W	H		
CH3628	35"	29.7"	25.12"	333	8.4 AMPS
CH4828	47"	29.7"	25.12"	375	11.0 AMPS

- Due to continuing engineering improvements, specifications are subject to change without notice.



FEDERAL
a Standex company