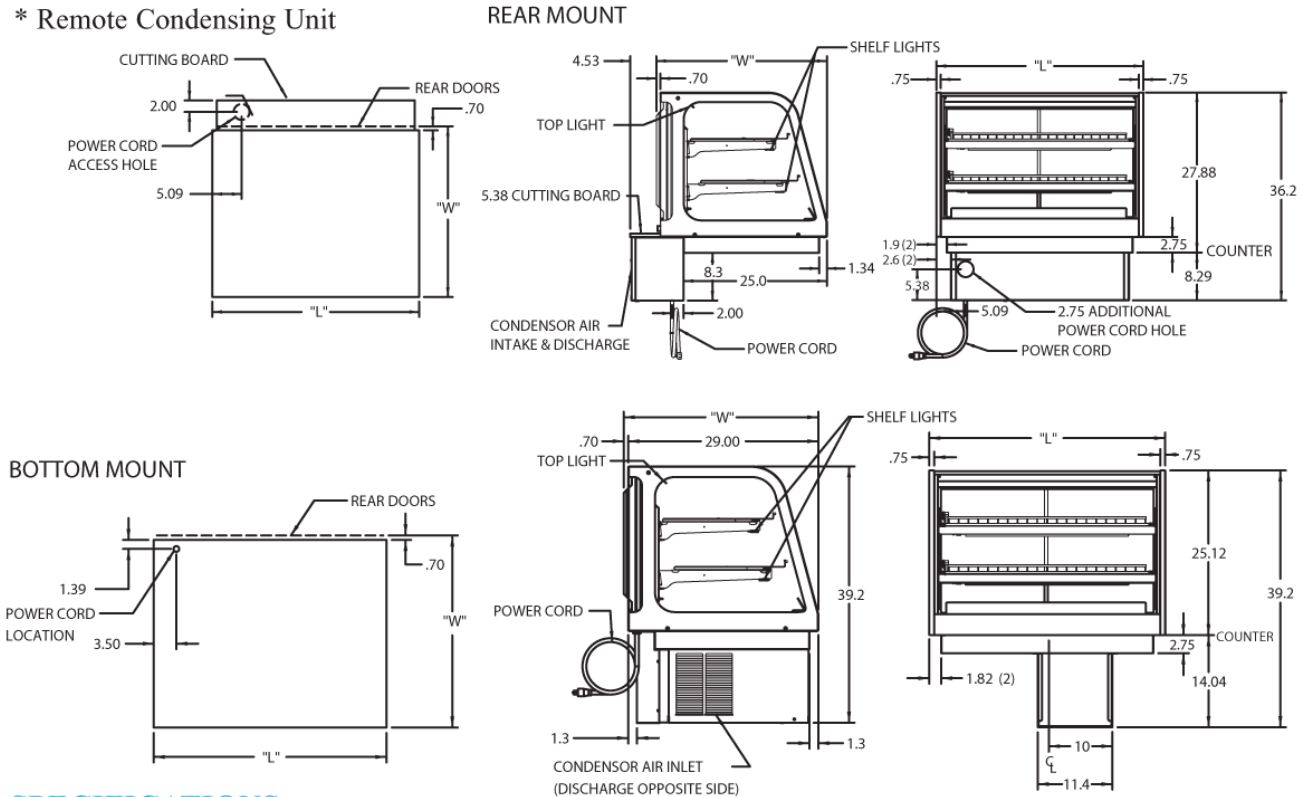


# SIGNATURE SERIES

## REFRIGERATED COUNTER TOP MERCHANDISER

### OPTIONAL ACCESSORIES:

- \* Glass Shelves
- \* Reflective Ends
- \* Reflective Rear Doors
- \* Remote Condensing Unit



### SPECIFICATIONS:

Model	Dimensions*			Shipping Weight (lbs)	Self-Contained 120/60/1	Remote 120/60/1Rear Mount
	L	W	H			
<b>Rear Mount</b>						
CRR3628	36.0"	29.7"	27.83"	390	8.1 AMPS	1.5 AMPS
CRR4828	48.0"	29.7"	27.83"	450	8.3 AMPS	1.5 AMPS
<b>Bottom Mount</b>						
CRB3628	36.0"	29.7"	25.12"	390	8.1 AMPS	3.6 AMPS
CRB4828	48.0"	29.7"	25.12"	450	8.3 AMPS	3.8 AMPS

\* Height above counter.

- Refrigerated cases are designed to operate in an environment of 75° ambient and 55% relative humidity.
- Due to continuing engineering improvements, specifications are subject to change without notice.



**a Standex company**