

OLIVER® Clusterslicer™

Model 703

SLICER SPECIFICATIONS:

Motors: Two 1/3 H.P. , TENV, single phase capacitor start, thermally protected. 115 VAC, 12 AMPS total.

Capacities:

Bun Height: Up to 3" (76mm)

Bun Width:

Cluster buns: 4" (102mm) min. to
9 3/4" (248mm) max.

Single buns: 2" (51mm) min. to
4 7/8" (124mm) max.

Cutting Height (Bottom Slice Thickness):

5/8" (16mm) to 1 1/2" (38mm)

Hinge Thickness: Approx. 1/2" (13mm), all buns.

O. L. Protection: 15 AMP Circuit Breakers

Cord & Plug: 7 foot (2.1m) 3-wire cord with grounding plug standard.

Lubrication: Lifetime lubricated and factory sealed bearings.

Finish: Durable bakery white powder coat finish, wear resistant and easy to clean. Chute, blades, and all other contact parts are stainless steel.

Dimensions:

Shipping Weight: 200 lbs. (91kg)

Net Weight: 155 lbs. (70kg)

Height: 22 3/8" (568mm)

Width: 23 3/4" (603mm)

Length: 29 3/8" (746mm)

Above specifications subject to change without notice.

Oliver® Products Company

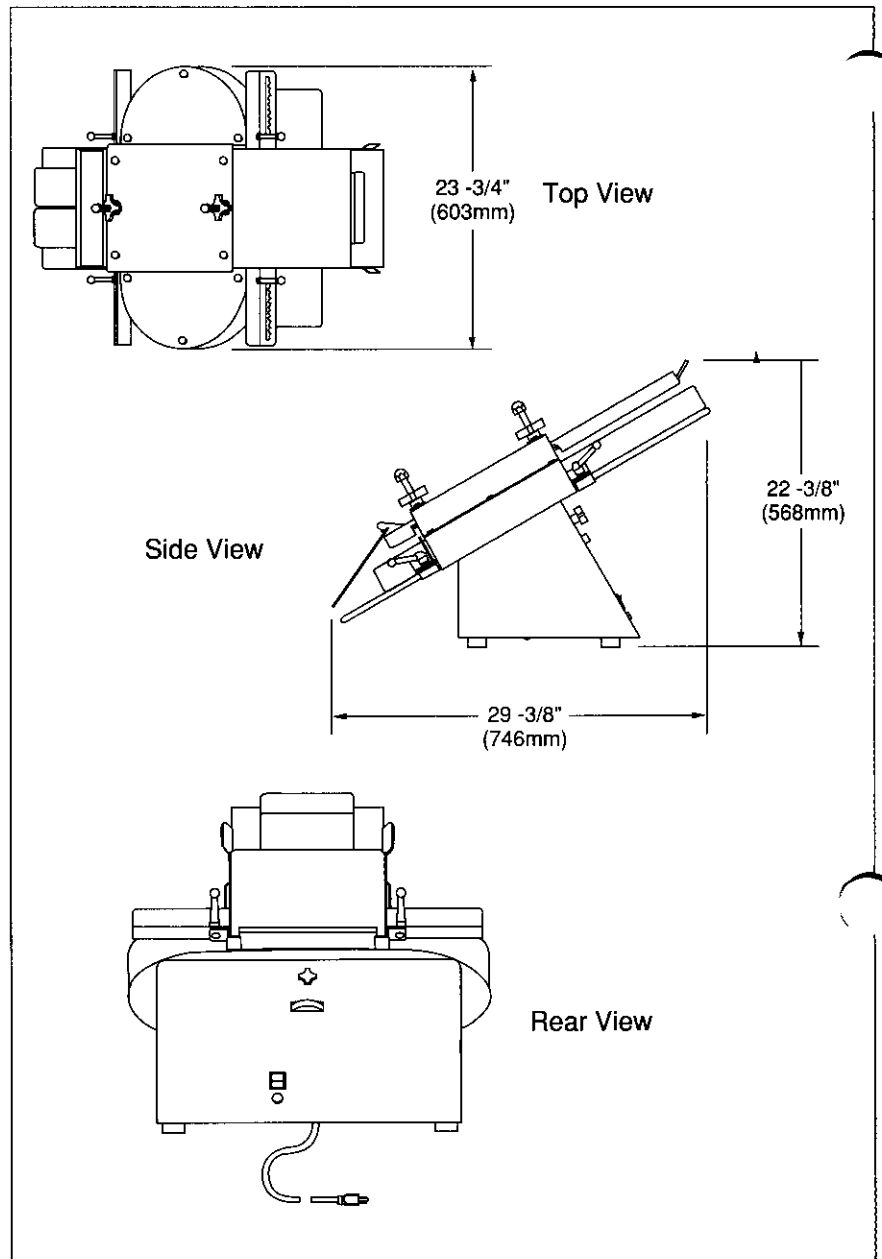
445 Sixth St. N. W.

Grand Rapids, MI 49504-5298

616/456-7711

1-800/253-3893

616/456-7791 FAX



OLIVER®
PRODUCTS COMPANY