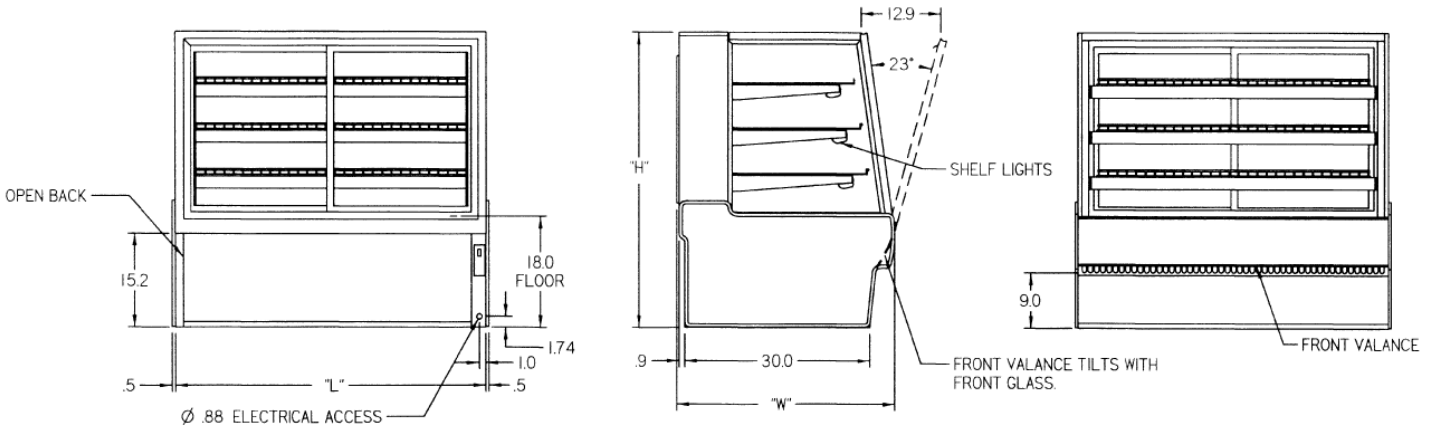
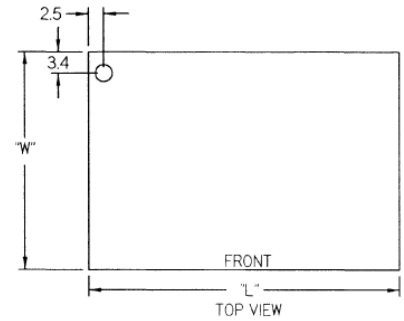


# HIGH VOLUME NON-REFRIGERATED BAKERY CASE

## OPTIONAL ACCESSORIES:

- \* Special Base Finish
- \* Glass Shelves
- \* Rear Wrapping Board
- \* Cord & Plug (NEMA 5-15)
- \* Fan Kit
- \* Black, Gold, or Chrome Wire Shelves
- \* Reflective Ends
- \* White or Mirrored Interior Ends with Laminated Exterior
- \* Reflective Rear Doors
- \* Casters/Cord & Plug Included
- \* Legs
- \* Top Cutting Board, White
- \* Package Shelf
- \* Light Below Package Shelf
- \* Front Glass & Rear Door Locks
- \* Joining Kit for Continuous Line-ups



## SPECIFICATIONS:

Model	Dimensions			Shipping Weight (Lbs.)	Bakery Pan Capacity	Electrical (120/60/1)
	L	W	H			
SGD3148	31.13"	35.31"	48"	270	4 (18" x 26") & 4 (9" x 26")	1.5 AMPS
SGD3642	36.13"	35.31"	42"	385	3 (18" x 26") & 3 (9" x 26")	1.5 AMPS
SGD3648	36.13"	35.31"	48"	400	4 (18" x 26") & 4 (9" x 26")	1.5 AMPS
SGD5042	50.13"	35.31"	42"	425	6 (18" x 26") & 3 (9" x 26")	1.5 AMPS
SGD5048	50.13"	35.31"	48"	480	8 (18" x 26") & 4 (9" x 26")	1.5 AMPS
SGD5942	59.13"	35.31"	42"	505	9 (18" x 26")	1.5 AMPS
SGD5948	59.13"	35.31"	48"	535	12 (18" x 26")	1.5 AMPS
SGD7742	77.13"	35.31"	42"	685	12 (18" x 26")	1.5 AMPS
SGD7748	77.13"	35.31"	48"	715	16 (18" x 26")	1.5 AMPS

- Due to continuing engineering improvements, specifications are subject to change without notice.

