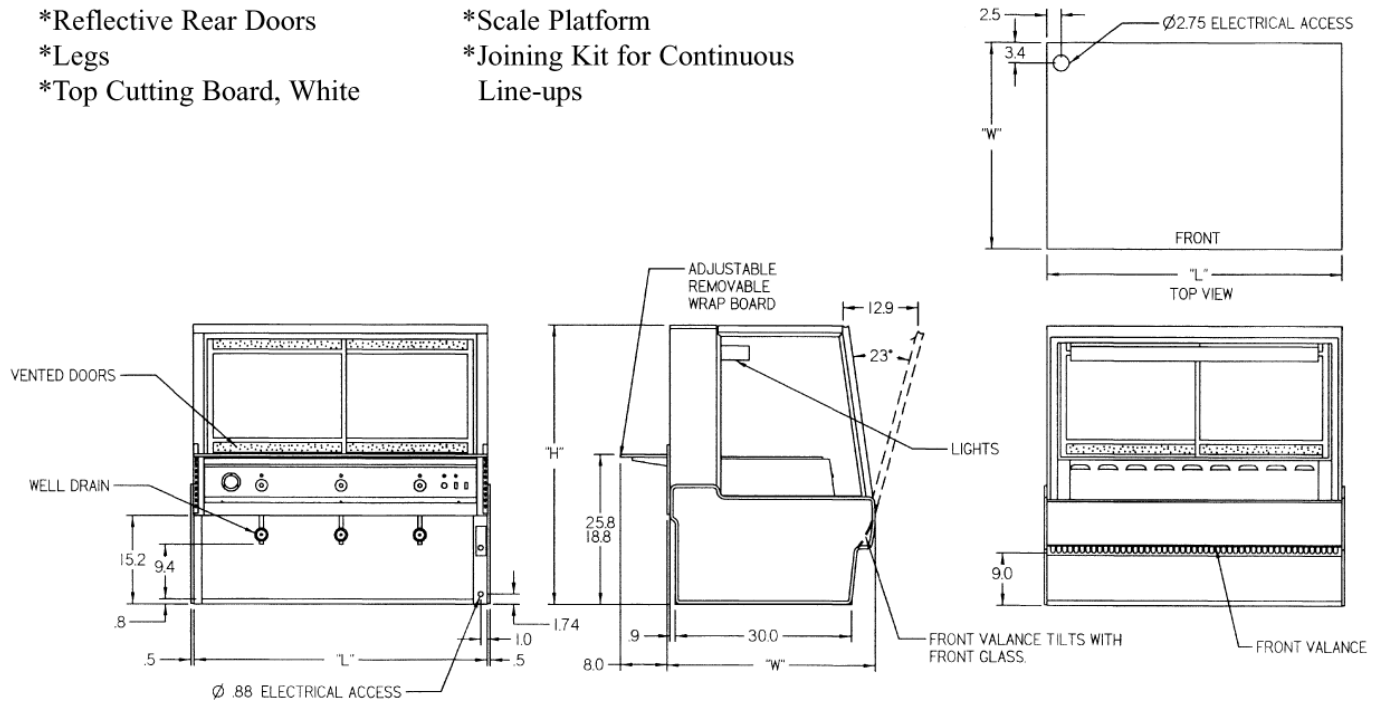


HIGH VOLUME HOT DELI CASE

OPTIONAL ACCESSORIES:

- *Special Base Finish
- *Reflective Ends
- *White Ends or Mirrored Interior Ends with Laminated Exterior
- *Reflective Rear Doors
- *Legs
- *Top Cutting Board, White
- *Package Shelf
- *Light Below Package Shelf
- *Front Glass and Rear Door Locks
- *Scale Platform
- *Joining Kit for Continuous Line-ups



SPECIFICATIONS:

| Model | Dimensions | | | Shipping Weight (Lbs.) | Wells* | Electrical Requirements 120/208-240/60/1 3-Wire Plus Ground |
|----------|------------|--------|-----|------------------------|--------|---|
| | L | W | H | | | |
| SG5048HD | 50.13" | 35.31" | 48" | 535 | 3 | 19.6 AMPS |
| SG5948HD | 59.13" | 35.31" | 48" | 660 | 3 | 19.6 AMPS |
| SG7748HD | 77.13" | 35.31" | 48" | 800 | 5 | 32.3 AMPS |

*Each well holds a full-size pan.

- Due to continuing engineering improvements, specifications are subject to change without notice.



a Standex company