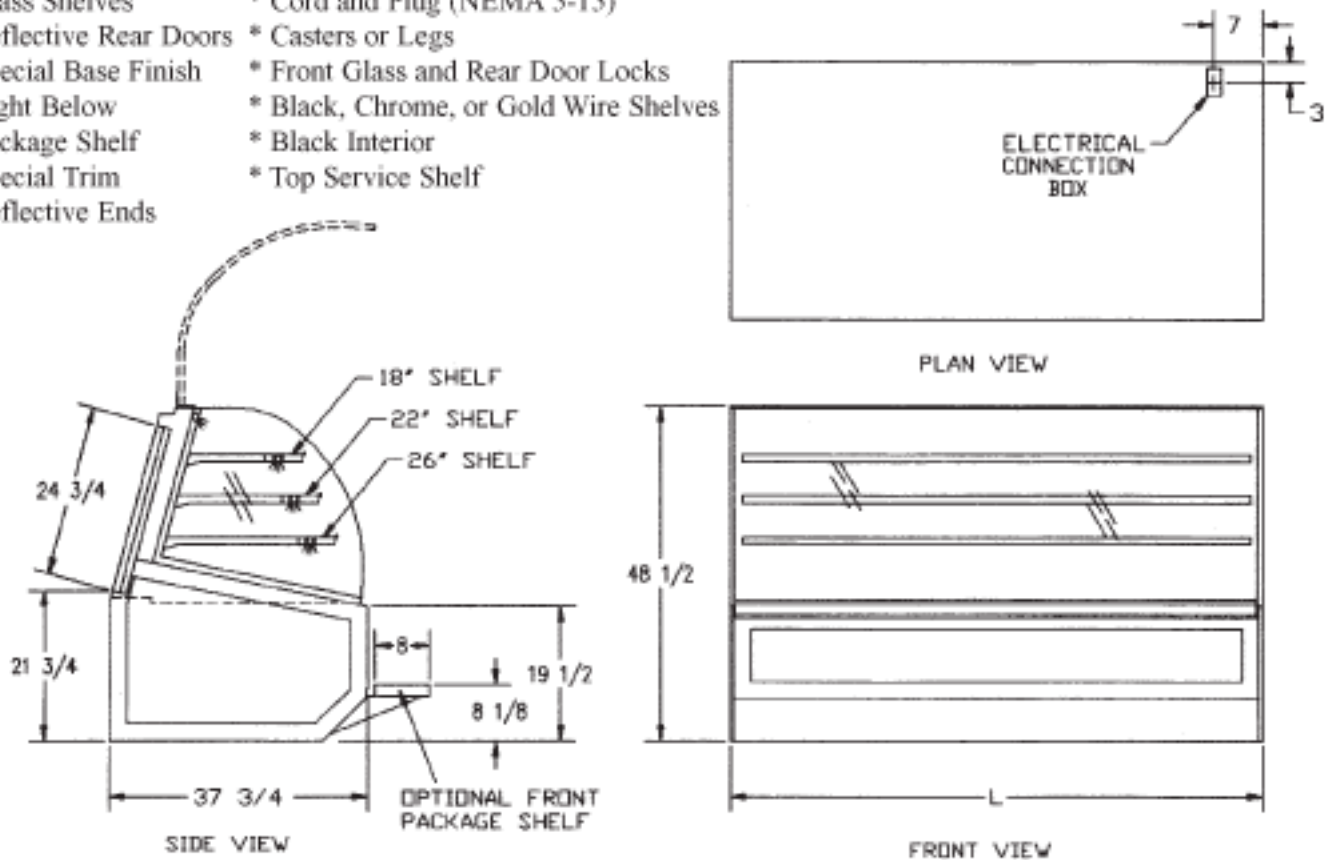


SERIES '90

NON-REFRIGERATED BAKERY CASE

OPTIONAL ACCESSORIES:

- * Package Shelf
- * Glass Shelves
- * Reflective Rear Doors
- * Special Base Finish
- * Light Below Package Shelf
- * Special Trim
- * Reflective Ends
- * Rear Wrapping Board
- * Cord and Plug (NEMA 5-15)
- * Casters or Legs
- * Front Glass and Rear Door Locks
- * Black, Chrome, or Gold Wire Shelves
- * Black Interior
- * Top Service Shelf



SPECIFICATIONS:

Model	Dimensions			Shipping Weight (lbs)	Capacity (Bakery Pans)	Power 120/60/1
	L	W	H			
SN-48	48 1/4" x 37 3/4" x 48 1/2"			600	4 (18" x 26") 8 (12" x 18") 2 (9" x 26")	1.0 AMPS
SN-59	59 1/4" x 37 3/4" x 48 1/2"			700	10 (18" x 26")	1.5 AMPS
SN-77	77 1/4" x 37 3/4" x 48 1/2"			865	8 (18" x 26") 12 (12" x 18")	2.0 AMPS

- Due to continuing engineering improvements, specifications are subject to change without notice.



FEDERAL
a Standex company