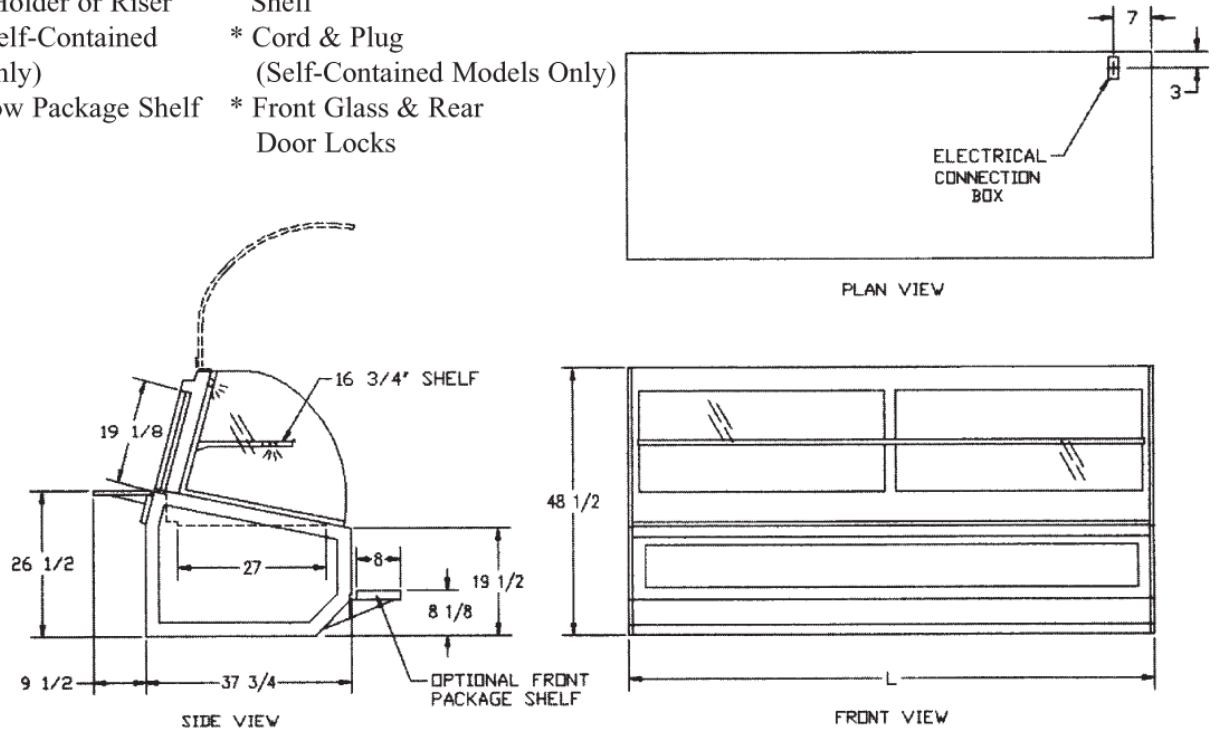


SERIES '90

REFRIGERATED DELI CASE

OPTIONAL ACCESSORIES:

- * Package Shelf
- * Special Trim
- * Reflective Rear Doors
- * Scale Platform
- * Remote Refrigeration
- * Step Pan Holder or Riser
- * Casters (Self-Contained Models Only)
- * Light Below Package Shelf
- * Legs
- * Reflective Ends
- * Special Base Finish
- * Fish Case Package (Includes Ice Pan & Drain)
- * Additional Mezzanine Shelf
- * Cord & Plug (Self-Contained Models Only)
- * Front Glass & Rear Door Locks



SPECIFICATIONS:

Model	Dimensions			Shipping Weight (lbs)	Capacity (Step Pans)	*Self-Contained 120/60/1	Remote 120/60/1
	L	W	H				
SN-4CD	48 1/4"	37 3/4"	48 1/2"	770	3	1/2 HP - 12 AMPS	13.2 AMPS
SN-6CD	72 1/4"	37 3/4"	48 1/2"	1,000	5	3/4 HP - 15 AMPS	16.1 AMPS
SN-8CD	96 1/2"	37 3/4"	48 1/2"	1,265	7	3/4 HP - 16 AMPS	17.2 AMPS

- * Plus general purpose receptacle 120V., 15AMP. (Not available with caster option.)
- Cases are designed to operate in a maximum environment of 75° ambient and 55% relative humidity.
- Due to continuing engineering improvements, specifications are subject to change without notice.



Standex company