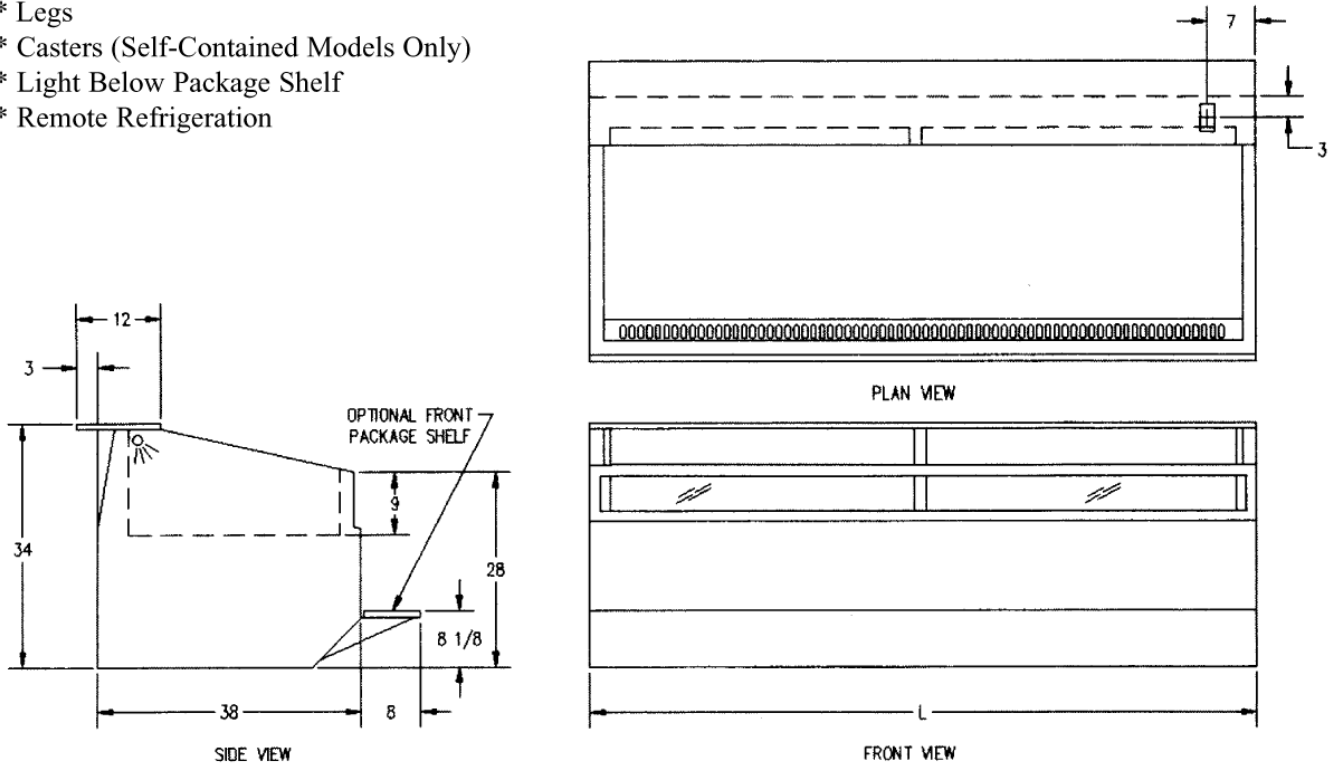


SERIES '90

SELF-SERVE REFRIGERATED DELI OR BAKERY CASE

OPTIONAL ACCESSORIES:

- * Package Shelf
- * Special Base Finish
- * Step Pan Holder or Riser
- * Gold Tone Trim
- * Legs
- * Casters (Self-Contained Models Only)
- * Light Below Package Shelf
- * Remote Refrigeration



SPECIFICATIONS:

Model	Dimensions			Shipping Weight (lbs)	Capacity (Step Pans)	*Self-Contained 115/60/1	Remote 115/60/1
	L	W	H				
SN-4CD-SS	48 1/4"	41"	34"	650	3	1/2 HP - 12 AMPS	17 AMPS
SN-6CD-SS	72 1/4"	41"	34"	930	5	3/4 HP - 16 AMPS	17 AMPS
SN-8CD-SS	96 1/2"	41"	34"	1,065	7	3/4 HP - 22 AMPS	17 AMPS

- * A separate 115/60/1 15 AMP circuit is required for condensate evaporator.
- Cases are designed to operate in a maximum environment of 75° ambient and 55% relative humidity.
- Due to continuing engineering improvements, specifications are subject to change without notice.

