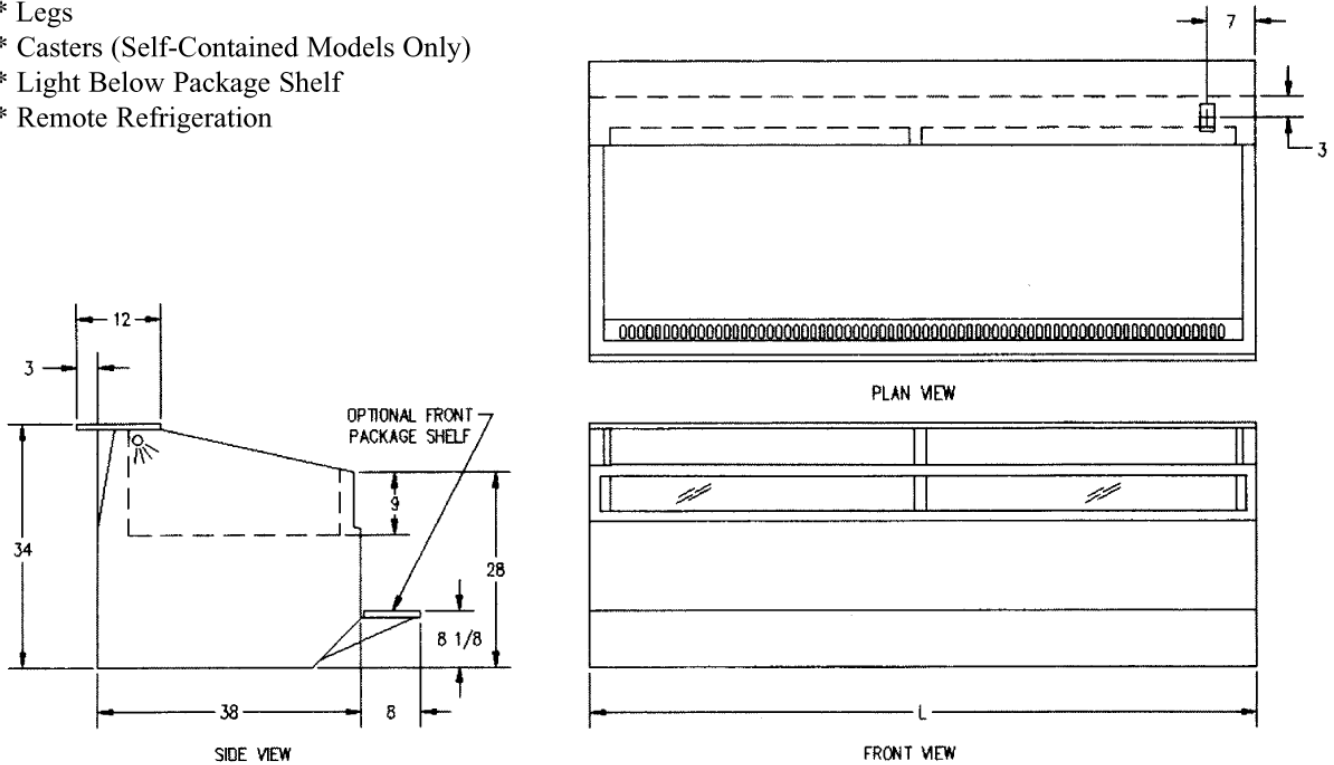


# SERIES '90

## SELF-SERVE REFRIGERATED DELI OR BAKERY CASE

### OPTIONAL ACCESSORIES:

- \* Package Shelf
- \* Special Base Finish
- \* Step Pan Holder or Riser
- \* Gold Tone Trim
- \* Legs
- \* Casters (Self-Contained Models Only)
- \* Light Below Package Shelf
- \* Remote Refrigeration



### SPECIFICATIONS:

| Model     | Dimensions |     |     | Shipping Weight (lbs) | Capacity (Step Pans) | *Self-Contained 115/60/1 | Remote 115/60/1 |
|-----------|------------|-----|-----|-----------------------|----------------------|--------------------------|-----------------|
|           | L          | W   | H   |                       |                      |                          |                 |
| SN-4CD-SS | 48 1/4"    | 41" | 34" | 650                   | 3                    | 1/2 HP - 12 AMPS         | 17 AMPS         |
| SN-6CD-SS | 72 1/4"    | 41" | 34" | 930                   | 5                    | 3/4 HP - 16 AMPS         | 17 AMPS         |
| SN-8CD-SS | 96 1/2"    | 41" | 34" | 1,065                 | 7                    | 3/4 HP - 22 AMPS         | 17 AMPS         |

- \* A separate 115/60/1 15 AMP circuit is required for condensate evaporator.
- Cases are designed to operate in a maximum environment of 75° ambient and 55% relative humidity.
- Due to continuing engineering improvements, specifications are subject to change without notice.

