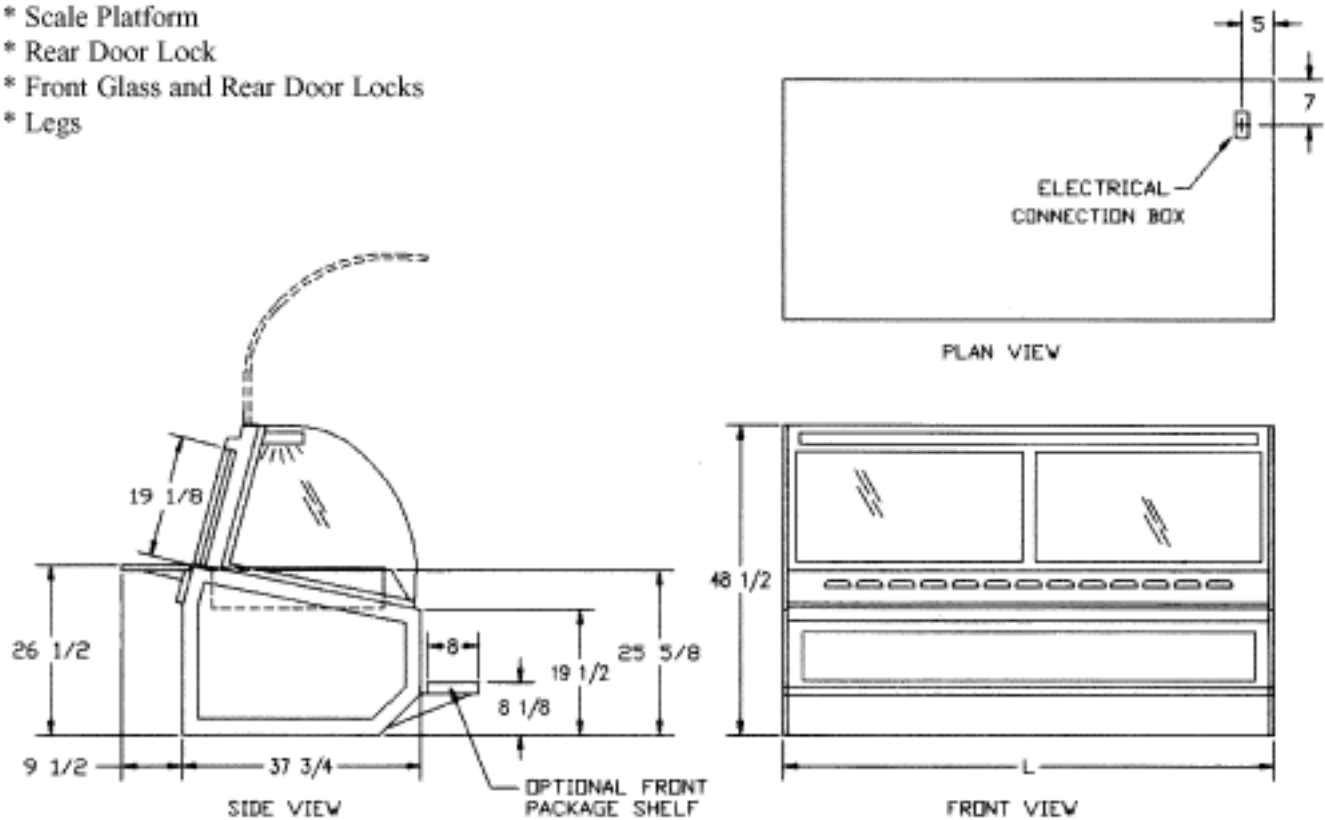


SERIES '90 HOT DELI CASE

OPTIONAL ACCESSORIES:

- * Package Shelf
- * Special Trim
- * Reflective Rear Doors
- * Scale Platform
- * Rear Door Lock
- * Front Glass and Rear Door Locks
- * Legs
- * Light Below Package Shelf
- * Reflective Ends
- * Special Base Finish



SPECIFICATIONS:

Model	Dimensions L W H	Shipping Weight (lbs)	*AMPS 120/208-240/60/1 3 Wire Plus Ground	Drain	**Wells
SN-4HD	48 1/4" x 37 3/4" x 48 1/2"	625	30	1" NPT	3
SN-6HD	77 1/4" x 37 3/4" x 48 1/2"	685	45	1" NPT	5

* Plus general purpose receptacle 120V, 15AMP.

** Each well holds a full size pan and a third. The SN-6HD center well holds a full size pan only.

- Due to continuing engineering improvements, specifications are subject to change without notice.

