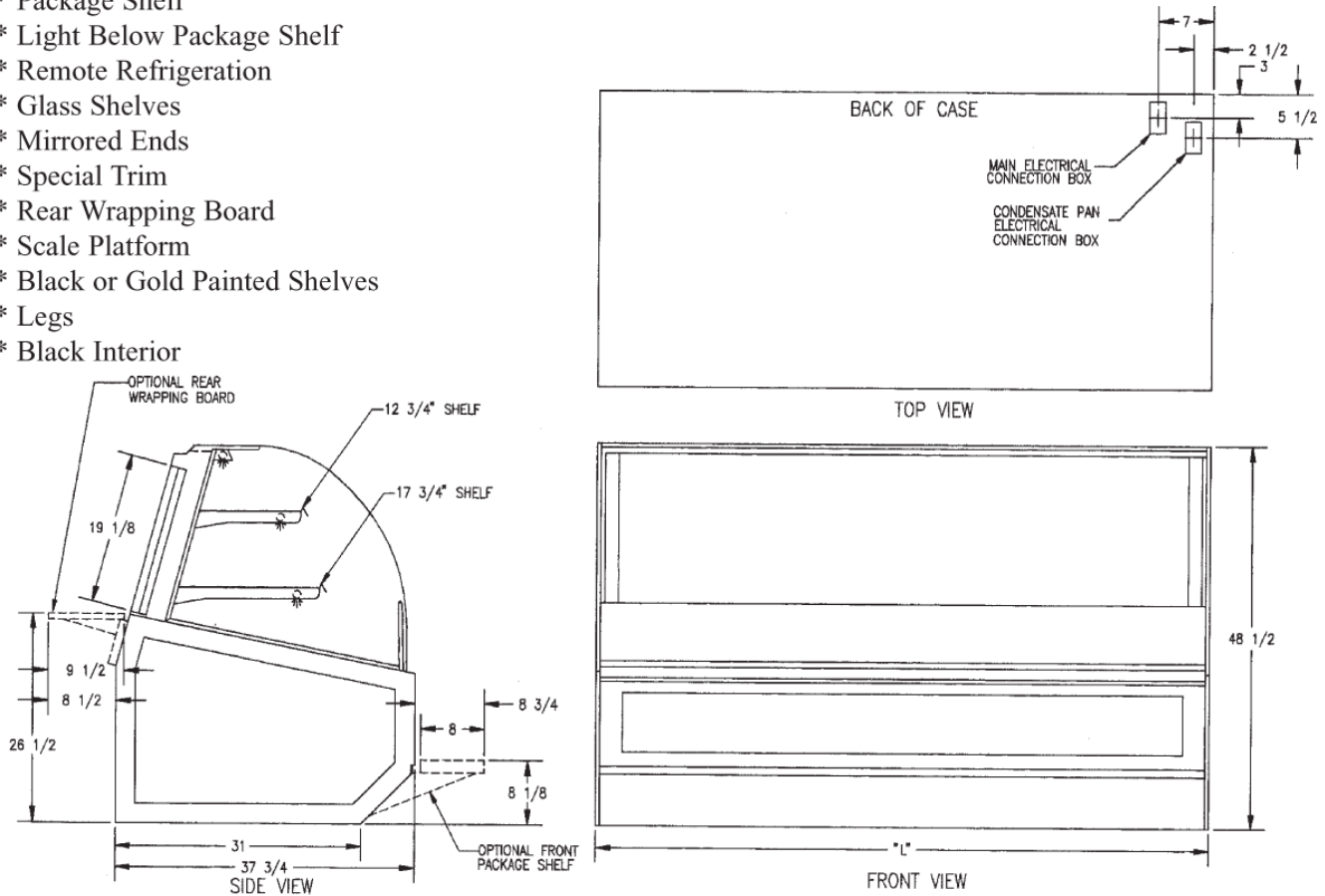


# SERIES '90

## SELF-SERVE REFRIGERATED BAKERY OR DELI CASE

### OPTIONAL ACCESSORIES:

- \* Special Base Finish
- \* Package Shelf
- \* Light Below Package Shelf
- \* Remote Refrigeration
- \* Glass Shelves
- \* Mirrored Ends
- \* Special Trim
- \* Rear Wrapping Board
- \* Scale Platform
- \* Black or Gold Painted Shelves
- \* Legs
- \* Black Interior



### SPECIFICATIONS:

Model	Dimensions			Shipping Weight (lbs)	Self-Contained Electrical* 120/60/1	Remote 120/60/1
	L	W	H			
SNR-48-SS	48 1/4"	37 3/4"	48 1/2"	750	1/2 HP -- 12 AMPS	14 AMPS
SNR-59-SS	59 1/4"	37 3/4"	48 1/2"	775	3/4 HP -- 16 AMPS	15 AMPS
SNR-77-SS	77 1/4"	37 3/4"	48 1/2"	1,050	3/4 HP -- 16 AMPS	16 AMPS

- \* A separate 120/60/1 15 AMP circuit is required for condensate evaporator on self-contained models.
- Cases are designed to operate in a maximum environment of 75° ambient and 55% relative humidity.
- Due to continuing engineering improvements, specifications are subject to change without notice.



**a Standex company**