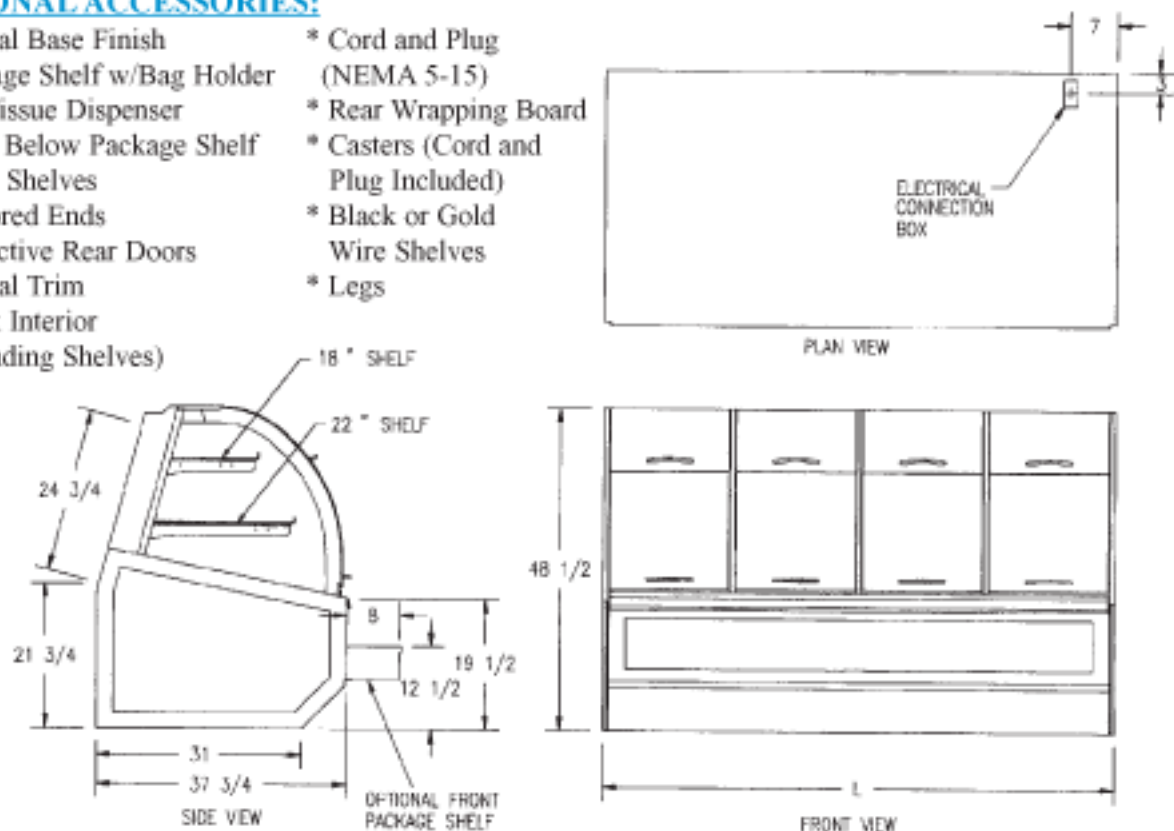


SERIES '90

SELF-SERVE NON-REFRIGERATED BAKERY CASE

OPTIONAL ACCESSORIES:

- * Special Base Finish
- * Package Shelf w/Bag Holder and Tissue Dispenser
- * Light Below Package Shelf
- * Glass Shelves
- * Mirrored Ends
- * Reflective Rear Doors
- * Special Trim
- * Black Interior (Including Shelves)
- * Cord and Plug (NEMA 5-15)
- * Rear Wrapping Board
- * Casters (Cord and Plug Included)
- * Black or Gold Wire Shelves
- * Legs



SPECIFICATIONS:

Model	Dimensions			Shipping Weight (lbs)	Capacity (Bakery Pans)	Power 120/60/1
	L	W	H			
SN-48-SS	48 1/4"	37 3/4"	48 1/2"	750	2 (18" x 26") 8 (12" x 18") 1 (9" x 26")	2 AMPS
SN-59-SS	59 1/4"	37 3/4"	48 1/2"	775	7 (18" x 26")	2 AMPS
SN-77-SS	77 1/4"	37 3/4"	48 1/2"	1,050	4 (18" x 26") 12 (12" x 18")	2 AMPS

- Due to continuing engineering improvements, specifications are subject to change without notice.



FEDERAL
a Standex company