



60 Quart Mixer

SP60P

Specifications

Motor: 3 HP, grease packed ball bearing, air cooled, 220/60/1, 18 amps or 208/60/3, 9 amps. Thermal overload protection (automatic reset). Special voltage motors available. Contact factory.

Finish: NSF approved enamel gray paint.

Capacity: 64 quart (60 liter) bowl.

Transmission: Fixed speed transmission is made of heat treated, hardened alloy, precision milled gears that operate the planetary action and provide high torque mixing power. The gears are packed in a long lasting grease, and all shafts are mounted in ball bearings.

Safety Interlocks: The bowl guard and bowl lift are interlocked. The mixer will automatically shut down when the guard is opened or the bowl is lowered.

Cord: Both single and three phase are hard wired.

Standard Equipment: Standard equipment includes a 60 quart #304 series stainless steel bowl, aluminum spiral dough hook, stainless steel wire whip, aluminum flat beater, stainless steel bowl guard with built in ingredient chute, 15 minute timer, bowl truck, and #12 attachment hub. A sturdy hand lever on the body column raises and lowers the bowl as well as locking in place at the top and bottom positions.

Agitator Speeds (RPMs):

Low	72
Intermediate	129
High	265

Attachment Speeds (RPMs):

Low	60
Intermediate	108
High	197

Dimensions:

Foot Print = 25.0" x 24.5"
(63.5cm x 62.2cm)
Overall Length = 28.4" (72.1cm)
Overall Width = 25.0" (63.5cm)
Overall Height = 51.0" (129.5cm)

Shipping Information:

Freight Class: 85
Net Weight: 572 lbs. (260 kgs.)
Shipping Weight: 835 lbs. (378.7 kgs.)
Shipping Dimensions:
36"W x 48"D x 65"H
(91.4cm x 121.9cm x 165.1cm)
Cartons are affixed to a skid (pallet). The weight and dimensions of this skid are included above and may vary from shipment to shipment.

Optional Accessories:

XXACC30-60 Adapter Kit (includes a 30 quart bowl, wire whip, dough hook, flat beater, and bowl adapter to adapt 60 quart mixer to a 30 quart capacity)

Optional Attachments:

XMCA-SS Meat Grinder Assembly (Polished stainless steel cylinder, worm, ring, and pan. Includes knife, 3/16" plate, stainless steel pan, and pusher.)

Chopper Plate Sizes Available:

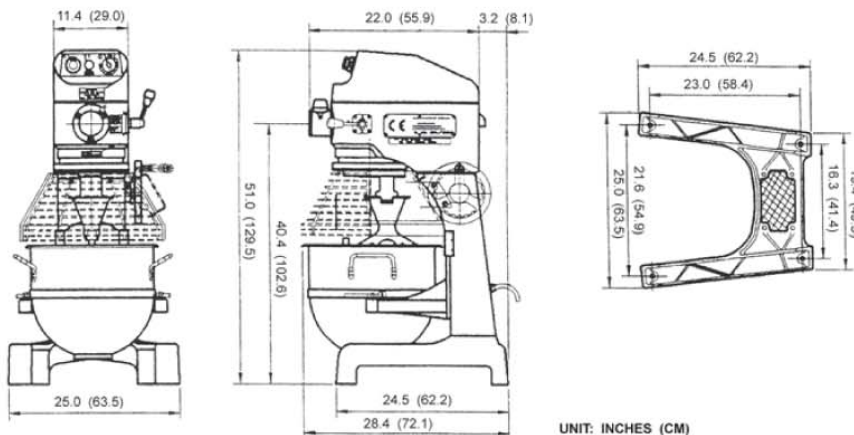
CP00-12	Stuffing Plate
CP02-12	1/16" (2mm)
CP04-12	5/32" (4mm)
CP06-12	1/4" (6mm)
CP08-12	5/16" (8mm)
CP10-12	3/8" (10mm)
CP12-12	1/2" (12mm)
CP14-12	9/16" (14mm)
CP16-12	5/8" (16mm)
CP18-12	11/16" (18mm)

XVSA 9" Vegetable Slicer Assembly (includes an adjustable slicer plate)

XVGA 9" Shredder/Grater Assembly (includes a plate holder and a 3/16" shredder plate)

Shredder Plate Sizes Available:

XSP332	3/32" (2.3mm)
XSP316	3/16" (4.7mm)
XSP14	1/4" (6.3mm)
XSP516	5/16" (7.9mm)
XSP12	1/2" (12.7mm)
XGP	Grater Plate



GLOBE FOOD EQUIPMENT COMPANY

Specifications are subject to change without notice.

Printed in U.S.A. 5-2006