



# 80 Quart Planetary Mixer

# SP80PL

## Specifications

**Motor:** 3 HP, grease packed ball bearing, air cooled, 208/60/3, 12 amps. Thermal overload protection (automatic reset).

**Finish:** NSF approved enamel gray paint.

**Capacity:** 80 quart (75.7 liter) bowl.

**Transmission:** Direct drive, fixed speed transmission is made of heat treated, hardened alloy, precision milled gears that operate the planetary action and provide high torque mixing power. The gears are continuously lubricated in a oil bath, and all shafts are mounted in ball bearings.

**Safety Features:** Separate start and stop buttons so operators can shut down the mixer in an emergency situation, and microswitches that automatically shut the mixer down when the guard is opened or the bowl is lowered.

### Agitator Speeds (RPMs):

|        |     |
|--------|-----|
| First  | 60  |
| Second | 105 |
| Third  | 176 |
| Fourth | 310 |

### Attachment Speeds (RPMs):

|        |     |
|--------|-----|
| First  | 67  |
| Second | 118 |
| Third  | 198 |
| Fourth | 349 |

**Standard Equipment:** Standard equipment includes an 80 quart #304 series stainless steel bowl, spiral dough hook, stainless steel wire whip, flat beater, stainless steel bowl guard with built in ingredient chute, 15 minute timer, bowl truck, and #12 attachment hub. A power bowl lift raises and lowers the bowl as well as locking in place at the top and bottom positions.

**Cord and Plug:** Hard wired.

### Dimensions:

Foot Print = 30" x 36"  
(76.2 cm x 91.4 cm)  
Overall Length = 48" (121.9 cm)  
Overall Width = 30" (76.2 cm)  
Overall Height = 62" (157.5 cm)

### Shipping Information:

Freight Class: 77.5  
Net Weight: 1,003 lbs. (455 kgs.)  
Shipping Weight: 1,215 lbs. (549.8 kgs.)  
Shipping Dimensions:  
36"W x 50"D x 75"H  
(91.4cm W x 127cm D x 190.5 cm H)  
Cartons are affixed to a skid (pallet).  
The weight and dimensions of this skid are included above and may vary from shipment to shipment.

### Optional Accessories:

**XXACC40-80** Adapter Kit includes a 40 quart bowl, wire whip, dough hook, and flat beater to adapt 80 quart mixer to a 40 quart capacity.

**XMCA-SS** Heavy Duty Meat Grinder (includes knife, 3/16" plate, stainless steel pan, and plunger)

- XXCP332** 3/32" Chopper Plate
- XXCP18** 1/8" Chopper Plate
- XXCP732** 7/32" Chopper Plate
- XXCP14** 1/4" Chopper Plate
- XXCP516** 5/16" Chopper Plate
- XXCP38** 3/8" Chopper Plate
- XXCP716** 7/16" Chopper Plate
- XXCP12** 1/2" Chopper Plate

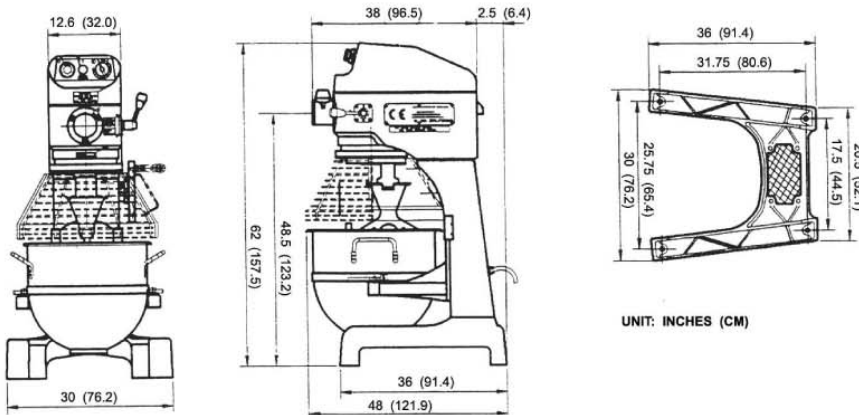
**XMCA** Economy Meat Grinder (includes knife, 3/16" plate, stainless steel pan, and plunger)

- XCP18** 1/8" Chopper Plate
- XCP14** 1/4" Chopper Plate
- XCP38** 3/8" Chopper Plate
- XCP12** 1/2" Chopper Plate

**XVSA** 9" Vegetable Slicer Assembly (includes an adjustable slicer plate)

**XVGA** 9" Shredder/Grater Assembly (includes a plate holder and 1 shredder/grater plate)

- XSP332** 3/32" Shredder Plate
- XSP316** 3/16" Shredder Plate
- XSP14** 1/4" Shredder Plate
- XSP516** 5/16" Shredder Plate
- XSP12** 1/2" Shredder Plate
- XGP** Grater Plate



## GLOBE FOOD EQUIPMENT COMPANY

Specifications are subject to change without notice.

Printed in U.S.A. 2-2004