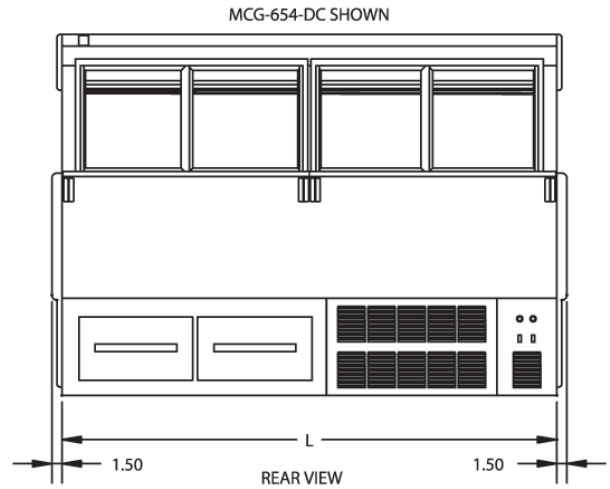
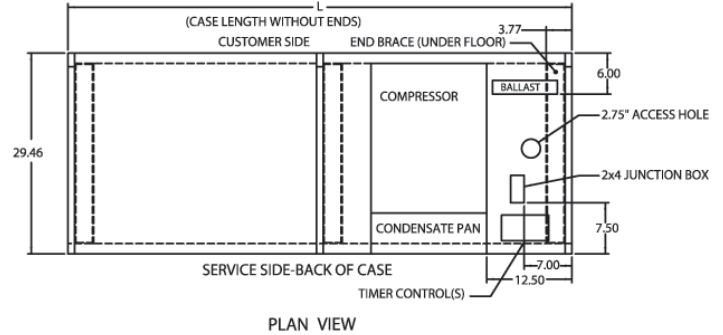
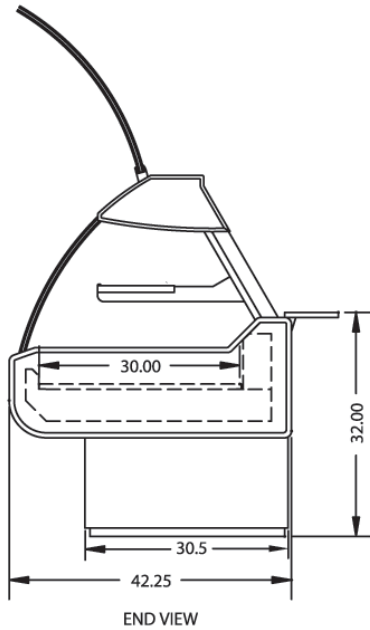


# CURVED GLASS REFRIGERATED MAXI DELI CASE

## OPTIONAL ACCESSORIES:

- \* Special Color Laminated Base
- \* Additional Lighted Mezzanine Shelf
- \* Paper Roll Cutter/Holder
- \* Reflective Ends
- \* Reflective Doors
- \* Remote Refrigeration
- \* Scale Stand
- \* Slicer Stand
- \* Deli Step Pan Holder or Risers
- \* Promolux Lighting



## SPECIFICATIONS:

| Model       | Dimensions<br>L W H  | Shipping<br>Weight (lbs) | Capacity<br>(Step Pans) | *Power<br>115/60/1 | *Remote<br>115/60/1 |
|-------------|----------------------|--------------------------|-------------------------|--------------------|---------------------|
| MCG-454-DC  | 50" x 42 1/4" x 54"  | 730                      | 4                       | 3/4 HP - 15.4 AMPS | 10.4 AMPS           |
| MCG-654-DC  | 74" x 42 1/4" x 54"  | 930                      | 6                       | 3/4 HP - 15.6 AMPS | 10.6 AMPS           |
| MCG-854-DC  | 98" x 42 1/4" x 54"  | 1,230                    | 8                       | 3/4 HP - 15.8 AMPS | 10.8 AMPS           |
| MCG-1054-DC | 122" x 42 1/4" x 54" | 1,530                    | 10                      | 3/4 HP - 16.0 AMPS | 11.0 AMPS           |

- Includes general purpose receptacle 115V, 3 AMP.
- Refrigerated cases are designed to operate in a maximum environment of 75° ambient and 55% relative humidity.
- Due to continuing engineering improvements, specifications are subject to change without notice.



**a Standex company**