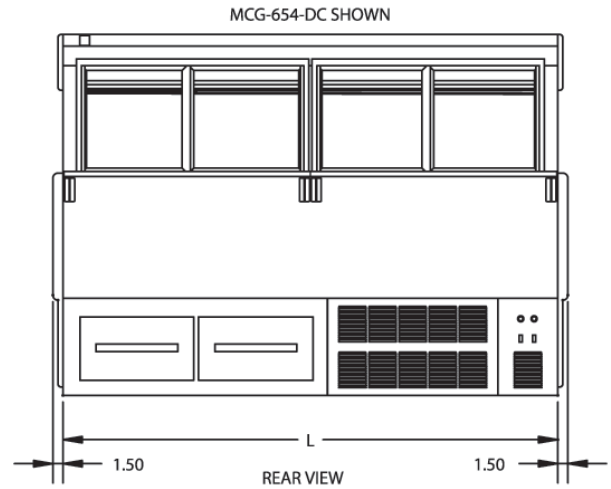
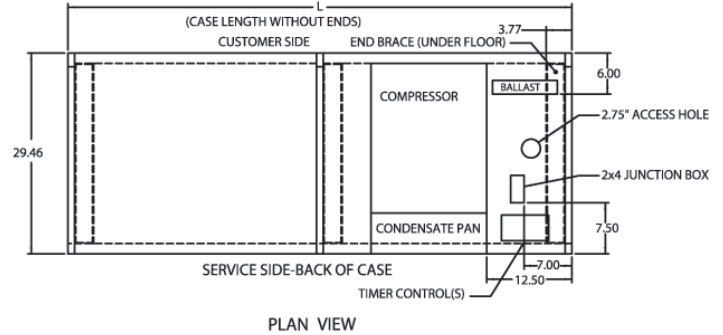
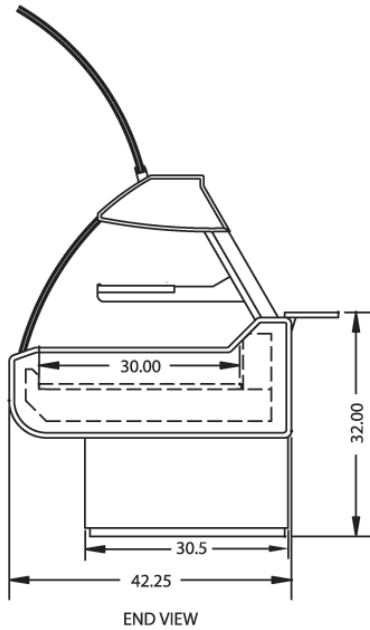


CURVED GLASS REFRIGERATED MAXI DELI CASE

OPTIONAL ACCESSORIES:

- * Special Color Laminated Base
- * Additional Lighted Mezzanine Shelf
- * Paper Roll Cutter/Holder
- * Reflective Ends
- * Reflective Doors
- * Remote Refrigeration
- * Scale Stand
- * Slicer Stand
- * Deli Step Pan Holder or Risers
- * Promolux Lighting



SPECIFICATIONS:

Model	Dimensions L W H	Shipping Weight (lbs)	Capacity (Step Pans)	*Power 115/60/1	*Remote 115/60/1
MCG-454-DC	50" x 42 1/4" x 54"	730	4	3/4 HP - 15.4 AMPS	10.4 AMPS
MCG-654-DC	74" x 42 1/4" x 54"	930	6	3/4 HP - 15.6 AMPS	10.6 AMPS
MCG-854-DC	98" x 42 1/4" x 54"	1,230	8	3/4 HP - 15.8 AMPS	10.8 AMPS
MCG-1054-DC	122" x 42 1/4" x 54"	1,530	10	3/4 HP - 16.0 AMPS	11.0 AMPS

- Includes general purpose receptacle 115V, 3 AMP.
- Refrigerated cases are designed to operate in a maximum environment of 75° ambient and 55% relative humidity.
- Due to continuing engineering improvements, specifications are subject to change without notice.



Standex company