

THE WEDGE PRESS

**READY TO COOK
FLOUR TORTILLAS
ON THE ULTIMATE
STATE OF THE ART
COUNTER TOP PRESS**

SAFE, COMPACT

EASY TO CLEAN

LOW MAINTENANCE

- **2 MOVING PARTS**
*Optional Stand Available
on Model 12S*



LISTED



Model #12

SPECIFICATIONS

Model #12

Voltage 220/240 AC

Cycles 60 Hz

Phase Single

Amperage 23.4

900 Tortillas per hour*

From 5" to 12" Diameter

Total Power Usage:

5.6 KW

Total Heating Element Wattage:

5200

Press Motor Size:

1/8 Hp

Press Motor Voltage:

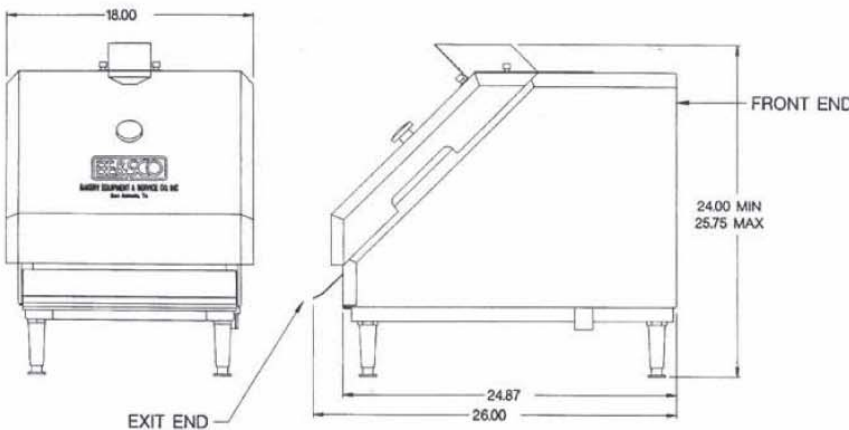
90 VDC Variable

Press Motor Amperage:

1.0

Shipping Weight:

200 lbs.



*Tortilla production will vary depending upon diameter and thickness of tortillas and the experience of the equipment operator.

MANUFACTURED UNDER ONE OR MORE OF THE FOLLOWING U.S. PATENTS:
 4,724,755 4,838,153 4,508,025
 4,769,252 5,095,813 4,569,851
 4,751,876 4,899,869



MANUFACTURING

Shipping:
FOB San Antonio, Texas