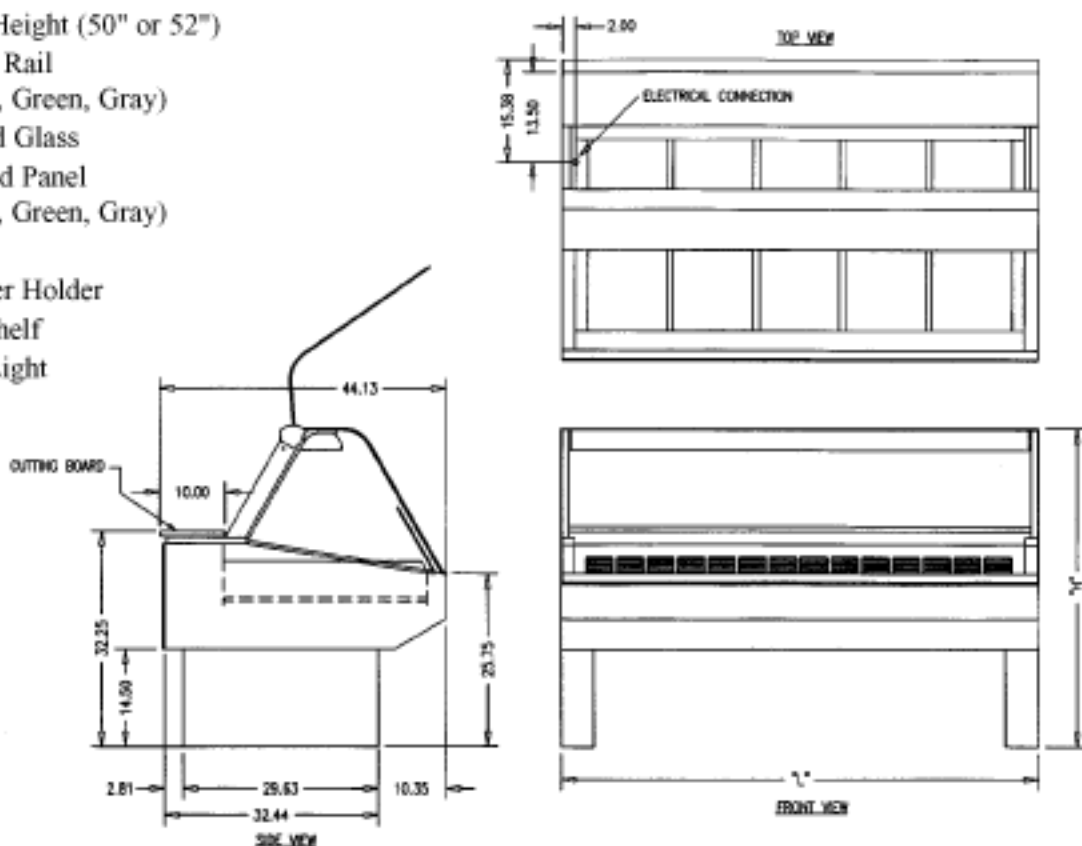


SQ MARKET DELI™ HOT DELI CASE

OPTIONAL ACCESSORIES:

- * Special Case Height (50" or 52")
- * Front Bumper Rail
(Black, White, Green, Gray)
- * Reflective End Glass
- * Decorative End Panel
(Black, White, Green, Gray)
- * Scale Stand
- * Food Container Holder
- * Top Service Shelf
- * Accent Base Light
- * Slicer Stand



SPECIFICATIONS:

Model	*Dimensions L W H	Approx. Shipping Weight (lbs)	**AMPS 120/208-240/60/1 3 Wire Plus Ground	Water Connections	***Well Capacity
SQ-3HD	36" x 44 1/8" x 48"	375	10.3	1/2" NPT	2
SQ-4HD	48" x 44 1/8" x 48"	470	14.6	1/2" NPT	3
SQ-6HD	72" x 44 1/8" x 48"	710	22.6	1/2" NPT	5
SQ-8HD	96" x 44 1/8" x 48"	920	31.2	1/2" NPT	7

- *Without decorative end panel.
- **Plus general purpose receptacle 120V., 15 AMP. (2nd circuit required.) (N/A for Canadian Listings)
- ***Each well holds a full size pan and a third.
- **When ordering, specify case line-up and pedestal or panel design.**
- Due to continuing engineering improvements, specifications are subject to change without notice.



a Standex company