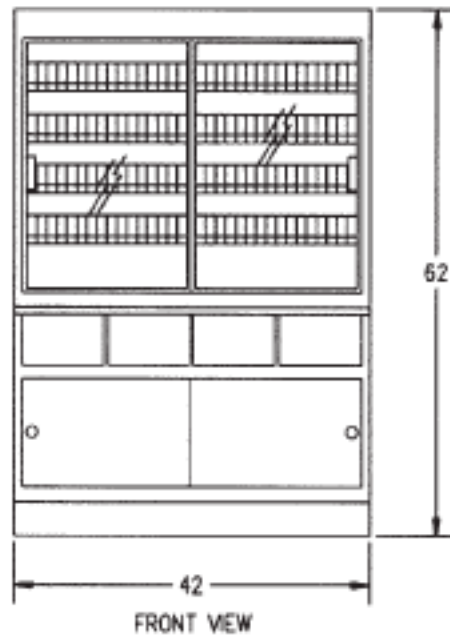
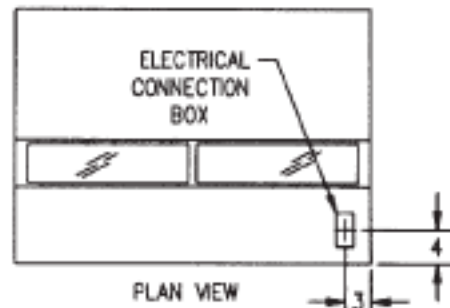
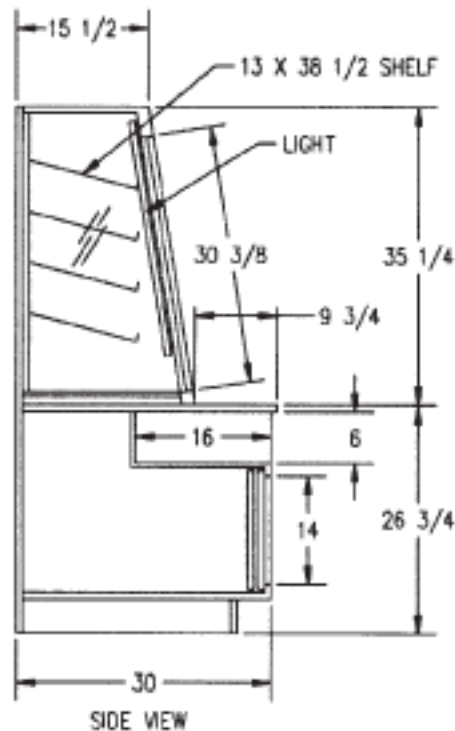


WALL DISPLAY

NON-REFRIGERATED SELF-SERVE BAKERY CASE

OPTIONAL ACCESSORIES:

- * Special Base Finish
- * Vertical Lights
- * Mirrored Ends
- * Rear Sliding Doors
- * Casters (Cord and Plug Included)



SPECIFICATIONS:

Model	Dimensions			Shipping Weight (lbs)	Capacity (Bakery Pans)
	L	W	H		
WCD-42	42"	30"	62"	350	10 (12" x 18")

** Electrical requirement for optional lights - 120/60/1 - 2 AMPS.

- Due to continuing engineering improvements, specifications are subject to change without notice.



FEDERAL
a Standex company